

Method Pictogram for Assembly of BoSS Tower with Cantilever

1 Build a Standard Boss Ladderspan 1450 (Double width) tower to required platform height following the Boss 3T User Guide (taking into account maximum height permissible for each deck length as stated in the data details at the end of this guide).



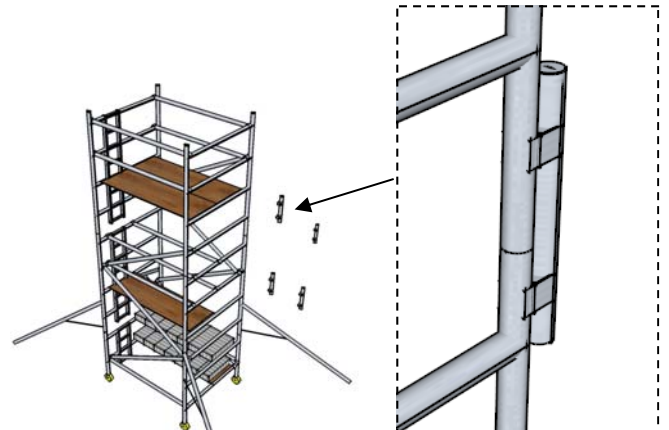
2 Fit 2 Fixed decks to the first and second rungs of the tower on the opposite side to the access ladder.



3 Next, evenly load both fixed decks as fitted in step 2 with the appropriate ballast weights as required in Data details at the end of this Guide.



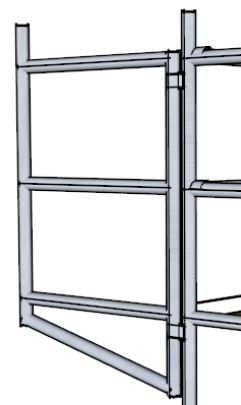
4 At this stage, install tubing to the uprights on opposite side of the tower to the cantilever frames at each frame joint using couplers placed either side of the frame joints to prevent pull out.



5 Attach 2 no Boss Cantilever frames to the uprights of the Boss tower using 50.8mm swivel couplers.



6 Ensure both Cantilever frames are in line with the Boss Tower uprights (see data sheet) and the bottom rung of the Cantilever frame is at the same level as the working platform rung on the tower.



Method Pictogram for Assembly of BoSS Tower with Cantilever

7 Working from behind the existing tower guardrail, place additional handrail braces on the top rung and middle rung of the cantilever frame to provide handrails on cantilever deck.



8 It is now possible to locate a Boss fixed deck on the bottom rung of the cantilever frame by sliding the deck underneath the lower handrail on the tower, locate the deck against the “stop rings” on the cantilever frame.



9 Next, locate the Cantilever Infill deck between the tower deck and the cantilever deck, some repositioning of the existing decks may be necessary to ensure correct location of the infill deck.



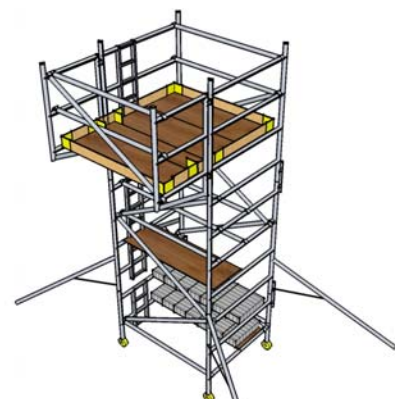
10 Remove the existing upper & lower handrail braces on cantilever side of tower and reposition on corresponding uprights of cantilever frame for temporary storage until required to dismantle the structure.



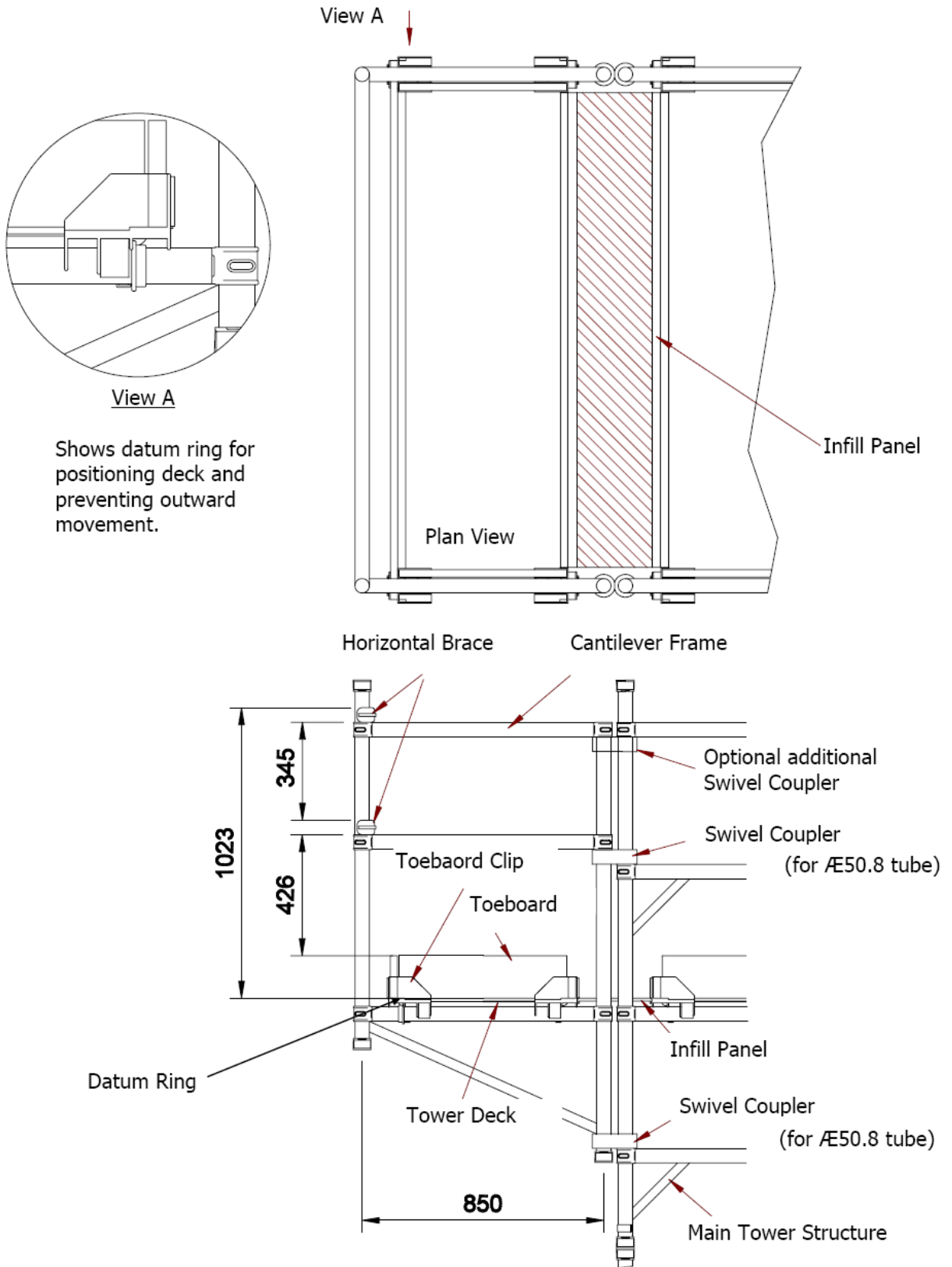
11 Fit an additional diagonal brace from bottom rung of the left hand cantilever frame to top rung of the opposite cantilever frame close to the outside upright of the cantilever frames.



12 Fit Toeboards to the cantilever deck & tower working platformd.



BOSS Assembly Details for Cantilever Frame



Guidance Notes

1. If an alternative method of infill is to be used ensure timber has a minimum thickness of 12mm and edges are bevelled to reduce trip hazards.

BOSS Cantilever Frame Loading & Safety Requirements

It is recommended that tubes & couplers are fitted to link all the frames this side to prevent the possibility of the joints pulling apart under the Cantilever load.

Maximum permissible heights & ballast requirements:

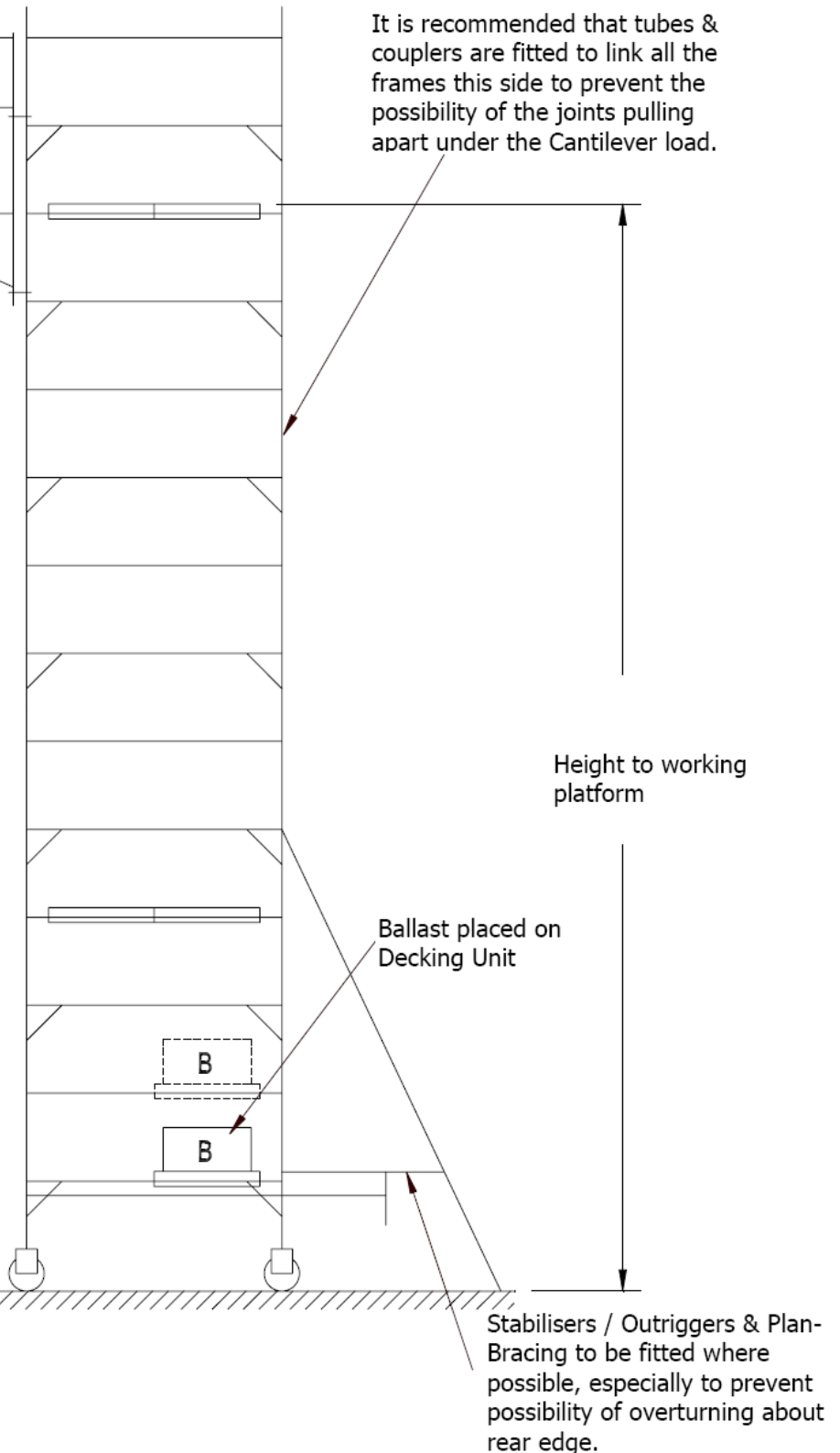
Deck Size	Ballast	Max Height
1.8m	415 kg	8.2m
2.5m	360 kg	7.2m
3.2m	305 kg	6.2m

Above requirements for 1450 Wide Tower

Cantilever must not be used on 850 Wide Tower

NOTE: As the ballast exceeds the safe working load of the platform, it should be placed as near to the ends of the platform as possible, or distributed over 2 platforms.

The ballast platform (platforms) should be assembled as far over as possible to the frame leg which is furthest from the cantilevered platform.



Guidance Notes

1. Care must be taken to ensure the amount and positioning of ballast is accurate to prevent instability or overloading of the legs.
2. The amount of ballast stated is based upon the requirement: Righting moment / Overturning moment ³ 1.5
3. Maximum load (U.D.L) on cantilever Deck is 150 kg.
4. Maximum leg load = 300 kg