



MARKONE ACCESS HIRE

PRICE LIST

SCISSOR LIFTS

LOW LEVEL

BOOM LIFTS

ROUGH TERRAIN

TOWABLE BOOM LIFTS

ACCESS TOWERS

STEPS, LADDERS AND PLATFORMS

POWERED ACCESS SPECIALIST TEAM

01702 561820

www.mark1hire.co.uk



POWERED ACCESS TROUBLESHOOTING

PROBLEM: WORKING CONDITIONS	Slopes, uneven ground, potholes, loose terrain and steep inclines
SOLUTION	4x4 tracked machines with stabiliser legs
HOW IT WORKS	4x4 means to drive all four wheels creating more traction to get through the roughest of terrain. Stabiliser legs can be deployed and level the machine before ascending.
MACHINES TO CONSIDER	SD120T • TD120T • RT Scissor Lifts • SD170T

PROBLEM: OBSTRUCTIONS	Girders, overhangs, conservatories and fencing
SOLUTION	Boom lifts - articulated with a jib arm
HOW IT WORKS	Articulated boom lifts enable the user to go up and over most obstacles and the jib arm allows you to get into those tight spaces.
MACHINES TO CONSIDER	HR12 • HR17 • HR17N • HR21 • HR28 • SJ30

PROBLEM: CONFINED SPACES	Narrow single doorways, tight alleyways and between warehouse racking
SOLUTION	Narrow scissor lifts or narrow boom lifts
HOW IT WORKS	Narrow access machines have a much smaller width than standard machines enabling the user to get through single doorways and access those tight gaps.
MACHINES TO CONSIDER	GR15 • GR20 • 19' Scissor • 26'/32' N Scissor • Star10 • HR12N • HR17N

PROBLEM: NOISE LEVELS	Low noise constraints, early morning work and night work
SOLUTION	Hybrid or electric machines
HOW IT WORKS	Electric access machines run off battery power causing very low noise levels. Hybrid technology gives you both diesel and electric options.
MACHINES TO CONSIDER	All electric scissors and hybrid booms

PROBLEM: WEIGHT RESTRICTIONS	Mezzanine floors, delicate floors, tiled floors, and weight restricted elevators
SOLUTION	Low weight access machines under 1 Ton
HOW IT WORKS	Light weight access machines are built specifically for this job. Ideal for 1 person and compact and light weight enough to go in a lift or be pushed into the working area.
MACHINES TO CONSIDER	AWP25S • AWP30S • Power Tower • Nano SP • GR15 • AWP40S • S3010 • SJ16

PROBLEM: EMISSIONS	Green sites, LEZ zones and no pollution
SOLUTION	Hybrid or electric machines
HOW IT WORKS	Hybrid machines have the capability to work in just battery mode where in the past this has only been achievable with a diesel only engine.
MACHINES TO CONSIDER	All electric scissors and hybrid booms

PROBLEM: NO MESS	Valuable floors, antique floors, precious stone tiles and laboratories
SOLUTION	Non marking tyre machine and/or wheel protection covers
HOW IT WORKS	All our electric machines come with non marking tyres as standard. We also stock wheel covers that can easily be fitted to each machine.
MACHINES TO CONSIDER	All electric scissors and hybrid booms

CONTENTS



SCISSOR LIFTS	4
LOW LEVEL	10
BOOM LIFTS	15
ROUGH TERRAIN	21
TOWABLE BOOM LIFTS	28
ACCESS TOWERS	30
STEPS, LADDERS AND PLATFORMS	34

MARK ONE PROVIDES



TOOL & EQUIPMENT HIRE

Our extensive range of tool hire equipment includes specialist divisions in Confined Space equipment and Floor Preparation tools and equipment. Our staff are always on hand to answer any questions you may have to help you choose the right equipment for the job.



POWERED ACCESS HIRE

A separate powered access division with a range of cherry pickers, scissor lifts and internal access equipment delivered by a fleet of vehicles and FORS trained drivers to sites in Essex, London, Kent, Suffolk, Cambridgeshire, Hertfordshire, East Anglia, Greater London and often further afield.



TRAINING

We provide training services including IPAF, PASMA, confined space and first aid. A full list of training courses we provide can be found at www.mark1training.co.uk. On-site training can be arranged or you can visit our training centres in Southend and Chelmsford.



INSPECTIONS

To keep your equipment safe to use Mark One can provide LOLER inspections and Thorough Examinations in Southend, Essex, London and the surrounding counties at a date and time to suit your requirements, including weekends.

SCISSOR LIFTS

For straight up and down working, scissor lifts provide the ideal solution, transporting users and their tools to an elevated work place quickly and safely.

SAFETY FEATURES

- Tilt sensor with audible alarm
- Emergency stop switch at both platform and ground controls
- Heavy duty steel guardrails
- Pothole guards
- Roll out platform extension
- Built-in lanyard attachment
- Solid steel deck with slip-resistant surface
- Emergency manual platform lowering valve

BENEFITS

- Excellent manoeuvrability
- Control box allowing user control from ground or cage
- Low noise levels
- Non-marking tyres
- Electric and diesel available

WHEN HIRING YOU WILL BE PROVIDED WITH:

- A certificate of Thorough Examination (LOLER)
- Operators Instruction Manual

HANDOVER FAMILIARISATION TO ENSURE YOU UNDERSTAND

- Basic functions of the unit
- Pre-operational safety checks and maintenance
- Setting up procedure
- Site conditions and safety



* Please note that Handover Familiarisation is not a replacement for training in the correct use of powered access equipment

19' SCISSOR LIFT

TECHNICAL SPECIFICATION

	Metric
Working Height:	7.8m
Platform Height:	5.8m
Height Stowed (Guardrails down):	1.75m
Height Stowed (Guardrails up):	2.10m
Length:	1.78m
Width:	0.81m
Ground Clearance:	6cm
Ground Clearance -	1.78cm
Porthole Protectors Deployed:	
Platform Length - Stowed:	1.63m
Platform Length - Extended (Deck out):	2.54m
Platform Width (Inside):	0.66m
Lift Capacity:	227kg
Extension Deck Lift Capacity:	113kg
Turning Radius Outside:	1.68m
Turning Radius Inside:	zero
Power Source:	Battery
Tyres:	Solid Non-Marking Rubber
Gradeability:	25%
Weight:	1,312kg
Maximum Number of People:	2+ Tools

CODE: 350100

**FOR INTERNAL AND EXTERNAL USE
SOLID FLAT SURFACE ONLY**

HIRE RATES

Code	1 day	+1 day	1 week	4 weeks
350100	£110.00	£30.00	£170.00	£135.00*

* Price per week. 4 week rates must be agreed at time of hire.



26' NARROW SCISSOR LIFT

TECHNICAL SPECIFICATION

	Metric
Working Height:	9.92m
Platform Height:	7.92m
Height Stowed (Guardrails down):	1.91m
Height Stowed (Guardrails up):	2.25m
Length:	2.32m
Width:	0.84m
Ground Clearance:	8.89cm
Ground Clearance -	1.9cm
Porthole Protectors Deployed:	
Platform Length - Stowed:	2.13m
Platform Length - Extended (Deck out):	3.04m
Platform Width (Inside):	0.71m
Lift Capacity:	227kg
Extension Deck Lift Capacity:	113kg
Turning Radius Outside:	2.74m
Turning Radius Inside:	1.27m
Power Source:	Battery
Tyres:	Solid Non-Marking Rubber
Gradeability:	30%
Weight:	1,890kg
Maximum Number of People:	2+ Tools

CODE: 350125

**FOR INTERNAL USE ONLY
SOLID FLAT SURFACE ONLY**

HIRE RATES

Code	1 day	+1 day	1 week	4 weeks
350125	£135.00	£45.00	£215.00	£170.00*

* Price per week. 4 week rates must be agreed at time of hire.



WARNING - EQUIPMENT SPECIFICATION MAY VARY SLIGHTLY. IF IN DOUBT PLEASE PHONE TO CHECK

All prices shown exclude VAT. 4 week rates must be agreed at time of hire.

26' SCISSOR LIFT

TECHNICAL SPECIFICATION	
	Metric
Working Height:	9.92m
Platform Height:	7.92m
Height Stowed (Guardrails down):	1.89m
Height Stowed (Guardrails up):	2.25m
Length:	2.31m
Width:	1.17m
Ground Clearance:	8.89cm
Ground Clearance -	1.91cm
Porthole Protectors Deployed:	
Platform Length - Stowed:	2.13m
Platform Length - Extended (Deck out):	3.35m
Platform Width (Inside):	1.07m
Lift Capacity:	454kg
Extension Deck Lift Capacity:	136kg
Turning Radius Outside:	2.37m
Turning Radius Inside:	1.21m
Power Source:	Battery
Tyres:	Solid Non-Marking Rubber
Gradeability:	30%
Weight:	2,170kg
Maximum Number of People:	3+ Tools

CODE: 350120



HIRE RATES				
Code	1 day	+1 day	1 week	4 weeks
350120	£135.00	£45.00	£215.00	£170.00*

* Price per week. 4 week rates must be agreed at time of hire.



32' SCISSOR LIFT

TECHNICAL SPECIFICATION	
	Metric
Working Height:	11.75m
Platform Height:	9.75m
Height Stowed (Guardrails down):	1.99m
Height Stowed (Guardrails up):	2.35m
Length:	2.31m
Width:	1.17m
Ground Clearance:	8.89cm
Ground Clearance -	1.9cm
Porthole Protectors Deployed:	
Platform Length - Stowed:	2.13m
Platform Length - Extended (Deck out):	3.35m
Platform Width (Inside):	1.07m
Lift Capacity:	317kg
Extension Deck Lift Capacity:	113kg
Turning Radius Outside:	2.37m
Turning Radius Inside:	1.21m
Power Source:	Battery
Tyres:	Solid Non-Marking Rubber
Gradeability:	25%
Weight:	2,300kg
Maximum Number of People:	2+ Tools

CODE: 350130



HIRE RATES				
Code	1 day	+1 day	1 week	4 weeks
350130	£155.00	£60.00	£270.00	£210.00*

* Price per week. 4 week rates must be agreed at time of hire.



WARNING - EQUIPMENT SPECIFICATION MAY VARY SLIGHTLY. IF IN DOUBT PLEASE PHONE TO CHECK

All prices shown exclude VAT. 4 week rates must be agreed at time of hire.

32' ELECTRIC NARROW SCISSOR LIFT

TECHNICAL SPECIFICATION

	Metric
Working Height:	11.75m
Platform Height:	9.75m
Height Stowed (Guardrails down):	2.03m
Height Stowed (Guardrails up):	2.43m
Length:	2.43m
Width:	0.81m
Ground Clearance:	8.9cm
Ground Clearance -	2.2cm
Porthole Protectors Deployed:	
Platform Length - Stowed:	2.43m
Platform Length - Extended (Deck out):	3.33m
Platform Width (Inside):	0.81m
Lift Capacity:	227kg
Deck Extension:	0.9m
Turning Radius Outside:	2.13m
Turning Radius Inside:	zero
Power Source:	Battery
Tyres:	Solid Non- Marking Rubber
Gradeability:	25%
Weight:	2,352kg
Maximum Number of People:	2+ Tools

CODE: 350132

**FOR INTERNAL USE ONLY
SOLID FLAT SURFACE ONLY**

HIRE RATES

Code	1 day	+1 day	1 week	4 weeks
350131	£155.00	£60.00	£270.00	£210.00*

* Price per week. 4 week rates must be agreed at time of hire.



40' SCISSOR LIFT

TECHNICAL SPECIFICATION

	Metric
Working Height:	13.8m
Platform Height:	11.8m
Height Stowed (Guardrails down):	2.21m
Height Stowed (Guardrails up):	2.48m
Length:	2.4m
Width:	1.19m
Ground Clearance:	8.1cm
Ground Clearance -	1.9cm
Porthole Protectors Deployed:	
Platform Length - Stowed:	2.19m
Platform Length - Extended:	3.35m
Platform Width (Inside):	1.06m
Lift Capacity:	350kg
Turning Radius Outside:	2.58m
Turning Radius Inside:	0.54m
Power Source:	Battery
Tyres:	Solid Non-Marking Rubber
Gradeability:	25%
Weight:	2,985kg
Maximum Number of People:	3+ Tools

CODE: 350135

**FOR INTERNAL AND EXTERNAL USE
SOLID FLAT SURFACE ONLY**

HIRE RATES

Code	1 day	+1 day	1 week	4 weeks
350135	£190.00	£65.00	£325.00	£260.00*

* Price per week. 4 week rates must be agreed at time of hire.



WARNING - EQUIPMENT SPECIFICATION MAY VARY SLIGHTLY. IF IN DOUBT PLEASE PHONE TO CHECK

All prices shown exclude VAT. 4 week rates must be agreed at time of hire.

26' ROUGH TERRAIN 4X4 DIESEL SCISSOR LIFT

TECHNICAL SPECIFICATION	
	Metric
Working Height:	9.92m
Platform Height:	7.92m
Height Stowed (Guardrails down):	1.61m
Height Stowed (Guardrails up):	2.37m
Length:	3.35m
Width:	1.76m
Ground Clearance:	0.2m
Platform Length - Stowed:	2.44m
Platform Length - Extended (Deck out):	3.96m
Platform Width (Inside):	1.42m
Lift Capacity:	567kg
Deck Extension	1.52m
Turning Radius Outside:	3.96m
Turning Radius Inside:	1.52m
Power Source:	Diesel
Tyres:	Rough Terrain Rubber
Gradeability:	50%
Weight:	3,305kg
Maximum Number of People:	4+ Tools

CODE: 350180

**MACHINE IS 4X4
SELF LEVELLING JACK LEGS**

HIRE RATES				
Code	1 day	+1 day	1 week	4 weeks
350180	£160.00	£60.00	£280.00	£225.00*

* Price per week. 4 week rates must be agreed at time of hire.



27' ROUGH TERRAIN 4X4 NARROW SCISSOR LIFT

TECHNICAL SPECIFICATION	
	Metric
Working Height:	10.1m
Platform Height:	8.1m
Height Stowed (Guardrails down):	2.13m
Height Stowed (Guardrails up):	2.35m
Length:	3.3m
Width:	1.45m
Ground Clearance:	260mm
Platform Length - Stowed:	2.73m
Platform Length - Extended (Deck out):	3.93m
Platform Width (Inside):	1.4m
Lift Capacity:	300kg
Deck Extension:	1.2m
Turning Radius Outside:	4.75m
Turning Radius Inside:	2.5m
Power Source:	Diesel
Tyres:	Rough Terrain Rubber
Gradeability:	35%
Weight:	2,750kg
Maximum Number of People:	2+ Tools

CODE: 350188

**MACHINE IS 4X4
SELF LEVELLING JACK LEGS**

HIRE RATES				
Code	1 day	+1 day	1 week	4 weeks
350188	£190.00	£65.00	£325.00	£260.00*

* Price per week. 4 week rates must be agreed at time of hire.



WARNING - EQUIPMENT SPECIFICATION MAY VARY SLIGHTLY. IF IN DOUBT PLEASE PHONE TO CHECK

All prices shown exclude VAT. 4 week rates must be agreed at time of hire.

32' ROUGH TERRAIN 4X4 DIESEL SCISSOR LIFT

TECHNICAL SPECIFICATION	
	Metric
Working Height:	11.75m
Platform Height:	9.75m
Height Stowed (Guardrails down):	1.75m
Height Stowed (Guardrails up):	2.51m
Length:	3.35m
Width:	1.76m
Ground Clearance:	0.2m
Platform Length - Stowed:	2.44m
Platform Length - Extended (Deck out):	3.96m
Platform Width (Inside):	1.42m
Lift Capacity:	454kg
Deck Extension:	1.52m
Turning Radius Outside:	3.96m
Turning Radius Inside:	1.52m
Power Source:	Diesel
Tyres:	Rough Terrain Rubber
Gradeability:	40%
Weight:	3,781kg
Maximum Number of People:	4+ Tools

CODE: 350185

**MACHINE IS 4X4
SELF LEVELLING JACK LEGS**

HIRE RATES

Code	1 day	+1 day	1 week	4 weeks
350185	£190.00	£65.00	£325.00	£260.00*

* Price per week. 4 week rates must be agreed at time of hire.

32' ROUGH TERRAIN 4X4 ELECTRIC SCISSOR LIFT

TECHNICAL SPECIFICATION	
	Metric
Working Height:	11.75m
Platform Height:	9.75m
Height Stowed (Guardrails down):	1.75m
Height Stowed (Guardrails up):	2.51m
Length:	3.35m
Width:	1.76m
Ground Clearance:	0.2m
Platform Length - Stowed:	2.44m
Platform Length - Extended (Deck out):	3.96m
Platform Width (Inside):	1.42m
Lift Capacity:	454kg
Deck Extension:	1.52m
Turning Radius Outside:	3.96m
Turning Radius Inside:	1.52m
Power Source:	Battery
Tyres:	Non- Marking Rough Terrain
Gradeability:	45%
Weight:	3,844kg
Maximum Number of People:	4+ Tools

CODE: 350186

**MACHINE IS 4X4
SELF LEVELLING JACK LEGS**

HIRE RATES

Code	1 day	+1 day	1 week	4 weeks
350185	£200.00	£70.00	£340.00	£280.00*

* Price per week. 4 week rates must be agreed at time of hire.

50' ROUGH TERRAIN 4X4 DIESEL SCISSOR LIFT

TECHNICAL SPECIFICATION	
	Metric
Working Height:	17.24m
Platform Height:	15.24m
Height Stowed (Guardrails down):	2.29m
Height Stowed (Guardrails up):	3.17m
Length:	4.47m
Width:	2.34m
Ground Clearance:	20cm
Platform Length - Stowed:	4.27m
Platform Length - Extended (Deck out):	7.31m
Platform Width (Inside):	1.88m
Lift Capacity:	680kg
Deck Extension (Each End):	1.52m
Turning Radius Outside:	7.65m
Turning Radius Inside:	5.33m
Power Source:	Diesel
Tyres:	Rough Terrain Rubber
Gradeability:	30%
Weight:	6,895kg
Maximum Number of People:	5+ Tools

CODE: 350190

**MACHINE IS 4X4
SELF LEVELLING JACK LEGS**

HIRE RATES

Code	1 day	+1 day	1 week	4 weeks
350190	£240.00	£90.00	£420.00	£335.00*

* Price per week. 4 week rates must be agreed at time of hire.



WARNING - EQUIPMENT SPECIFICATION MAY VARY SLIGHTLY. IF IN DOUBT PLEASE PHONE TO CHECK

All prices shown exclude VAT. 4 week rates must be agreed at time of hire.

LOW LEVEL

If you are restricted for height indoors, low level access is ideal to use. They have non-marking tyres, are lightweight and can fit through most doorways.

SAFETY FEATURES

- Tilt sensor with audible alarm
- Auto brake system
- Emergency lowering system
- Pothole protection
- Tie down attachment points
- Load sensor
- Slip-resistant deck
- Forklift pockets
- Emergency stop buttons

WHEN HIRING YOU WILL BE PROVIDED WITH:

- A certificate of Thorough Examination (LOLER)
- Operators Instruction Manual

HANDOVER FAMILIARISATION TO ENSURE YOU UNDERSTAND

- Basic functions of the unit
- Pre-operational safety checks and maintenance
- Setting up procedure
- Site conditions and safety

BENEFITS

- Excellent manoeuvrability
- Lightweight
- Low noise levels
- Non-marking tyres
- Electric
- Narrow to fit through doorways



* Please note that Handover Familiarisation is not a replacement for training in the correct use of powered access equipment

STAR 8

TECHNICAL SPECIFICATION

	Metric
Working Height:	7.95m
Platform Height:	5.95m
Height Stowed:	1.98m
Working Outreach:	0.4m
Length:	1.4m
Width:	0.79m
Wheelbase:	1.06m
Ground Clearance:	6cm
Platform Length - Stowed (Inside):	1.38m
Platform Width (Inside):	0.77m
Lift Capacity:	200kg
Extension Deck Lift Capacity:	113kg
Turning Radius Outside:	1.7m
Power Source:	Battery
Tyres:	Solid Non-Marking Rubber
Gradeability:	25%
Weight:	1,150kg
Maximum Number of People:	1+ Tools

CODE: 350174

**FOR INTERNAL USE ONLY
SOLID FLAT SURFACE ONLY**

HIRE RATES

Code	1 day	+1 day	1 week	4 weeks
350174	£100.00	£50.00	£200.00	£160.00*

* Price per week. 4 week rates must be agreed at time of hire.



STAR 10

TECHNICAL SPECIFICATION

	Metric
Working Height:	10m
Platform Height:	8m
Height Stowed:	1.99m
Working Outreach:	3m
Length:	2.7m
Width:	1m
Wheelbase:	1.2m
Ground Clearance:	10cm
Platform Length - Stowed (Inside):	0.78m
Platform Width (Inside):	0.99m
Lift Capacity:	200kg
Extension Deck Lift Capacity:	113kg
Turning Radius Outside:	1.88m
Power Source:	Battery
Tyres:	Solid Non-Marking Rubber
Gradeability:	25%
Weight:	2,735kg
Maximum Number of People:	2+ Tools

CODE: 350175

**FOR INTERNAL AND EXTERNAL USE
SOLID FLAT SURFACE ONLY**

HIRE RATES

Code	1 day	+1 day	1 week	4 weeks
350175	£155.00	£80.00	£310.00	£245.00*

* Price per week. 4 week rates must be agreed at time of hire.



WARNING - EQUIPMENT SPECIFICATION MAY VARY SLIGHTLY. IF IN DOUBT PLEASE PHONE TO CHECK

All prices shown exclude VAT. 4 week rates must be agreed at time of hire.

POWER TOWER NANO SP

TECHNICAL SPECIFICATION	
	Metric
Working Height:	4.5m
Platform Height:	2.5m
Height Stowed (Guardrails):	1.59m
Length:	1.2m
Width:	0.75m
Ground Clearance:	50mm
Platform Length - Stowed (Inside):	1.0m
Platform Length - Extended (Inside):	1.5m
Platform Width (Inside):	0.73m
Lift Capacity:	200kg
Deck Extension:	0.5m
Turning Radius Outside:	3.96m
Turning Radius Inside:	1.52m
Power Source:	Battery
Weight:	478kg
Maximum Number of People:	1+ Tools

CODE: 350154

**FOR INTERNAL USE ONLY
SOLID FLAT SURFACE ONLY**

HIRE RATES

Code	1 day	+1 day	1 week	4 weeks
350154	£90.00	£25.00	£130.00	£105.00*

* Price per week. 4 week rates must be agreed at time of hire.



**POWER TOWER PUSH
AROUND VERTICAL**

TECHNICAL SPECIFICATION	
	Metric
Working Height:	5.10m
Platform Height:	3.10m
Height Stowed (Guardrails):	1.85m
Length:	1.6m
Width:	0.78m
Ground Clearance:	0.2m
Platform Length - Stowed (Inside):	1.52m
Platform Width (Inside):	0.78m
Lift Capacity:	250kg
Power Source:	Battery
Tyres:	Solid Non-Marking Rubber
Weight:	342kg
Maximum Number of People:	1+ Tools

CODE: 350153

**FOR INTERNAL USE ONLY
SOLID FLAT SURFACE ONLY**

HIRE RATES

Code	1 day	+1 day	1 week	4 weeks
350153	£75.00	£15.00	£110.00	£85.00*

* Price per week. 4 week rates must be agreed at time of hire.



WARNING - EQUIPMENT SPECIFICATION MAY VARY SLIGHTLY. IF IN DOUBT PLEASE PHONE TO CHECK

All prices shown exclude VAT. 4 week rates must be agreed at time of hire.

AWP-25S GENIE PERSONNEL LIFT

TECHNICAL SPECIFICATION

	Metric
Working Height:	9.57m
Platform Height:	2.57m
Height Stowed:	1.98m
Length:	1.31m
Width:	0.74m
Outrigger footprint:	1.75 x 1.55m
Platform Length:	0.69m
Platform Width:	0.66m
Platform Height:	1.14m
Power Source:	Battery
Weight:	371kg
Lift Capacity:	159kg
Maximum Number of People:	1+ Tools

CODE: 350150

**FOR INTERNAL USE ONLY
ADJUSTABLE LEVELLING OUTRIGGERS**

HIRE RATES

Code	1 day	+1 day	1 week	4 weeks
350150	£95.00	£50.00	£195.00	£155.00*

* Price per week. 4 week rates must be agreed at time of hire.

AWP-40S GENIE PERSONNEL LIFT

TECHNICAL SPECIFICATION

	Metric
Working Height:	14.29m
Platform Height:	12.29m
Height Stowed:	2.78m
Length:	1.42m
Width:	0.74m
Outrigger footprint:	2.26 x 2.06m
Platform Length:	0.69m
Platform Width:	0.66m
Platform Height:	1.14m
Power Source:	Battery
Weight:	472kg
Lift Capacity:	136kg
Maximum Number of People:	1+ Tools

CODE: 350152

**FOR INTERNAL USE ONLY
ADJUSTABLE LEVELLING OUTRIGGERS**

HIRE RATES

Code	1 day	+1 day	1 week	4 weeks
350152	£165.00	£85.00	£315.00	£250.00*

* Price per week. 4 week rates must be agreed at time of hire.

AWP-30S GENIE PERSONNEL LIFT

TECHNICAL SPECIFICATION

	Metric
Working Height:	11m
Platform Height:	9m
Height Stowed:	1.98m
Length:	1.35m
Width:	0.74m
Outrigger footprint:	1.93 x 1.73m
Platform Length:	0.69m
Platform Width:	0.66m
Platform Height:	1.14m
Power Source:	Battery
Weight:	393kg
Lift Capacity:	159kg
Maximum Number of People:	1+ Tools

CODE: 350151

**FOR INTERNAL USE ONLY
ADJUSTABLE LEVELLING OUTRIGGERS**

HIRE RATES

Code	1 day	+1 day	1 week	4 weeks
350151	£105.00	£55.00	£215.00	£170.00*

* Price per week. 4 week rates must be agreed at time of hire.



WARNING - EQUIPMENT SPECIFICATION MAY VARY SLIGHTLY. IF IN DOUBT PLEASE PHONE TO CHECK

All prices shown exclude VAT. 4 week rates must be agreed at time of hire.

SKYJACK SJ16

TECHNICAL SPECIFICATION	
	Metric
Working Height:	6.75m
Platform Height:	4.75m
Height Stowed (Guardrails):	1.79m
Length:	1.37m
Width:	0.77m
Ground Clearance:	5.33cm
Ground Clearance - Porthole Protectors Deployed:	1.60cm
Platform Length - Stowed (Inside):	0.85m
Platform Width (Inside):	0.69m
Lift Capacity:	227kg
Turning Radius Outside:	1.40m
Turning Radius Inside:	zero
Power Source:	Battery
Tyres:	Solid Non-Marking Rubber
Gradeability:	30%
Weight:	971kg
Maximum Number of People:	1+ Tools

CODE: 350168

**FOR INTERNAL USE ONLY
SOLID FLAT SURFACE ONLY**

HIRE RATES

Code	1 day	+1 day	1 week	4 weeks
350168	£95.00	£50.00	£190.00	£154.00*

* Price per week. 4 week rates must be agreed at time of hire.



SNORKEL S3010P PUSH AROUND VERTICAL

TECHNICAL SPECIFICATION	
	Metric
Working Height:	5m
Platform Height:	3m
Height Stowed (Guardrails):	1.8m
Length:	1.2m
Width:	0.75m
Platform Length (Outside):	1.1m
Platform Width (Outside):	0.52m
Lift Capacity:	240kg
Power Source:	Battery
Tyres:	Solid Non-Marking Casters
Weight:	370kg
Maximum Number of People:	1+ Tools

CODE: 350153

**FOR INTERNAL USE ONLY
SOLID FLAT SURFACE ONLY**

HIRE RATES

Code	1 day	+1 day	1 week	4 weeks
350153	£75.00	£15.00	£110.00	£85.00*

* Price per week. 4 week rates must be agreed at time of hire.



WARNING - EQUIPMENT SPECIFICATION MAY VARY SLIGHTLY. IF IN DOUBT PLEASE PHONE TO CHECK

All prices shown exclude VAT. 4 week rates must be agreed at time of hire.

BOOM LIFTS

If your planned work requires any degree of outreach then Articulated Boom Lifts can perform an incredible range of tasks.

SAFETY FEATURES

- Audible platform overload alarm
- Emergency stop switch at both platform and ground controls
- Heavy-duty guardrails
- Built in lanyard attachment point
- Solid deck with slip-resistant surface
- Emergency descent lowering valve

BENEFITS

- Outreach capabilities to overcome obstacles
- Fully proportional hydraulic controls
- Telescopic upper boom
- Bi-Energy - petrol\diesel and battery
- Various machines have hydraulic legs for uneven ground

WHEN HIRING YOU WILL BE PROVIDED WITH:

- A certificate of Thorough Examination (LOLER)
- Operators Instruction Manual

HANDOVER FAMILIARISATION TO ENSURE YOU UNDERSTAND

- Basic functions of the unit
- Pre-operational safety checks and maintenance
- Setting up procedure
- Site conditions and safety

* Please note that Handover Familiarisation is not a replacement for training in the correct use of powered access equipment



TRACKED NIFTY TD120T NARROW

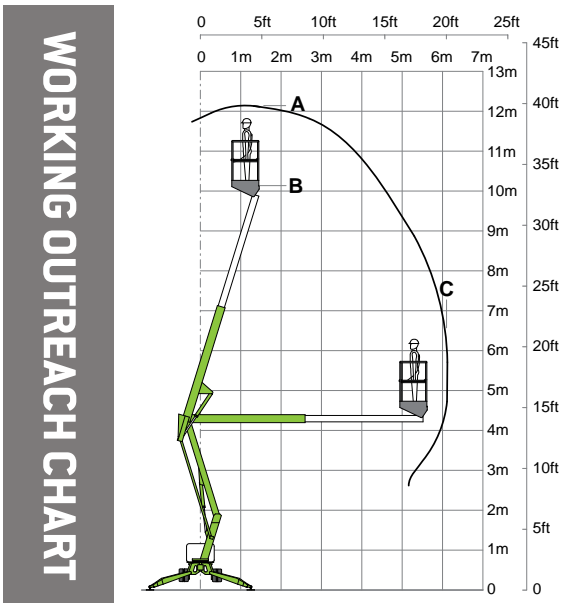
TECHNICAL SPECIFICATION	
	Metric
Working Height:	12.2m
Platform Floor Height:	10.2m
Height Stowed:	1.9m
Working Outreach	6.1m
Length:	3.95m
Width (with tracks in):	0.75m
Width (with stabilisers deployed):	3m
Platform Width:	0.75m
Lift Capacity:	120kg
Power Source:	Diesel/Mains 110v
Gradability:	60%
Weight:	1,850kg
Maximum Number of People:	1+ Tools

CODE: 350086

**FOR INTERNAL AND EXTERNAL USE
ADJUSTABLE LEVELLING LEGS**

HIRE RATES				
Code	1 day	+1 day	1 week	4 weeks
350086	£240.00	£125.00	£495.00	£395.00*

* Price per week. 4 week rates must be agreed at time of hire.



SELF DRIVE NIFTY SD120TBE 4X4

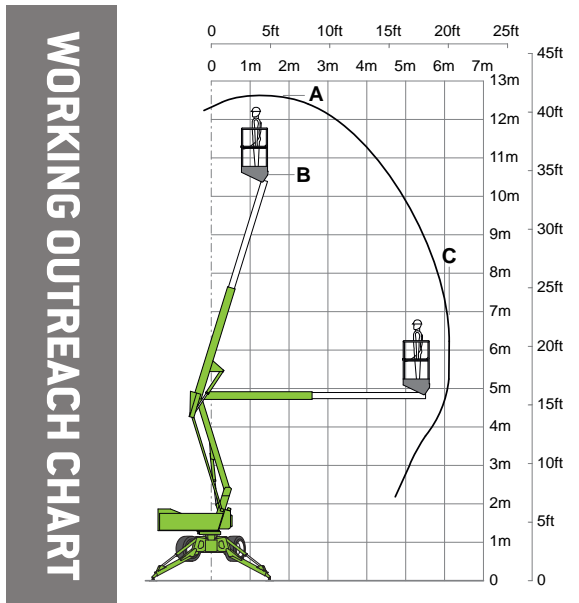
TECHNICAL SPECIFICATION	
	Metric
Working Height:	12.65m
Platform Height:	10.65m
Height Stowed:	1.95m
Working Outreach:	6.1m
Length:	3.9m
Width:	1.56m
Width (with stabilisers deployed):	3.2m
Platform Length:	0.65m
Platform Width:	1.1m
Lift Capacity:	200kg
Turning Radius Outside:	3.9m
Power Source:	Diesel/Battery
Gradeability:	45%
Weight:	2,260kg
Maximum Number of People:	2+ Tools

CODE: 350080

**FOR INTERNAL AND EXTERNAL USE
ADJUSTABLE LEVELLING LEGS**

HIRE RATES				
Code	1 day	+1 day	1 week	4 weeks
350080	£215.00	£100.00	£415.00	£330.00*

* Price per week. 4 week rates must be agreed at time of hire.



WARNING - EQUIPMENT SPECIFICATION MAY VARY SLIGHTLY. IF IN DOUBT PLEASE PHONE TO CHECK
All prices shown exclude VAT. 4 week rates must be agreed at time of hire.

SELF DRIVE NIFTY SD170TBE 4X4

TECHNICAL SPECIFICATION

	Metric
Working Height:	17.1m
Platform Height:	15.1m
Height Stowed:	2.1m
Working Outreach:	8.7m
Length:	5.6m
Width:	1.6m
Width (with stabilisers deployed):	4.4m
Platform Length:	0.65m
Platform Width:	1.1m
Lift Capacity:	200kg
Turning Radius Outside:	5.2m
Power Source:	Diesel/Battery
Gradeability:	30%
Weight:	2,750kg
Maximum Number of People:	2+ Tools

CODE: 350082

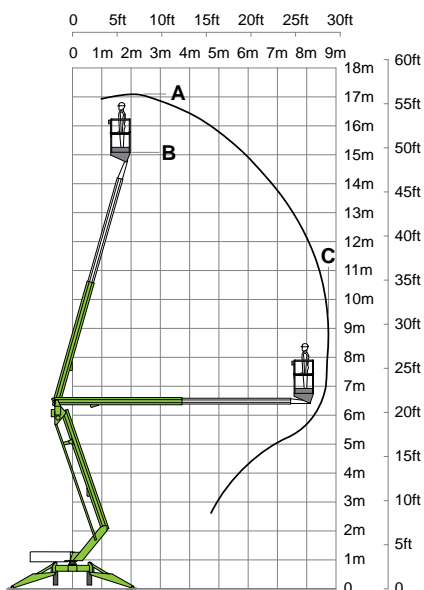
FOR INTERNAL AND EXTERNAL USE
ADJUSTABLE LEVELLING LEGS

HIRE RATES

Code	1 day	+1 day	1 week	4 weeks
350082	£315.00	£100.00	£515.00	£412.00*

* Price per week. 4 week rates must be agreed at time of hire.

WORKING OUTREACH CHART



SELF PROPELLED HR12NBE

TECHNICAL SPECIFICATION

	Metric
Working Height:	12.2m
Platform Floor Height:	10.2m
Height Stowed:	1.9m
Working Outreach:	6.1m
Length:	4.10m
Width:	1.5m
Platform Size (L x W):	0.65 x 1.1m
Lift Capacity:	200kg
Turning Radius (Outside):	4.2m
Power Source:	Bi-Energy (Diesel Engine & Battery)
Gradability:	25%
Weight:	3,170kg
Maximum Number of People:	2+ Tools

CODE: 350075

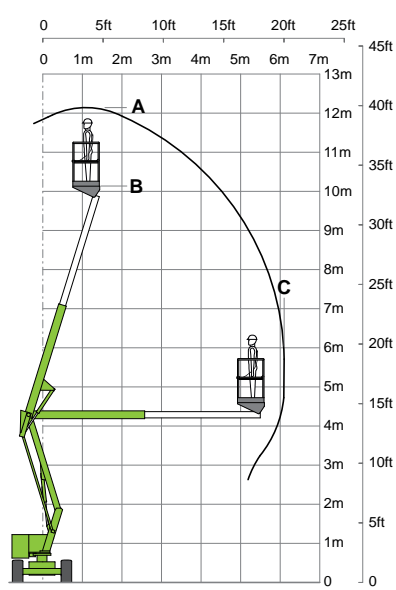
FOR INTERNAL AND EXTERNAL USE
SOLID FLAT SURFACE ONLY

HIRE RATES

Code	1 day	+1 day	1 week	4 weeks
350075	£200.00	£80.00	£360.00	£290.00*

* Price per week. 4 week rates must be agreed at time of hire.

WORKING OUTREACH CHART



WARNING - EQUIPMENT SPECIFICATION MAY VARY SLIGHTLY. IF IN DOUBT PLEASE PHONE TO CHECK

All prices shown exclude VAT. 4 week rates must be agreed at time of hire.

**SELF PROPELLED
HR12 BI-ENERGY 4X4**

TECHNICAL SPECIFICATION

	Metric
Working Height:	12.2m
Platform Floor Height:	10.2m
Height Stowed:	1.95m
Working Outreach	6.1m
Length:	4.10m
Width:	1.6m
Platform Size (L x W):	0.65 x 1.1m
Lift Capacity:	200kg
Turning Radius (Outside):	4.3m
Power Source:	Bi-Energy (Diesel Engine & Battery)
Gradability:	30%
Weight:	3,470kg
Maximum Number of People:	2+ Tools

CODE: 350076

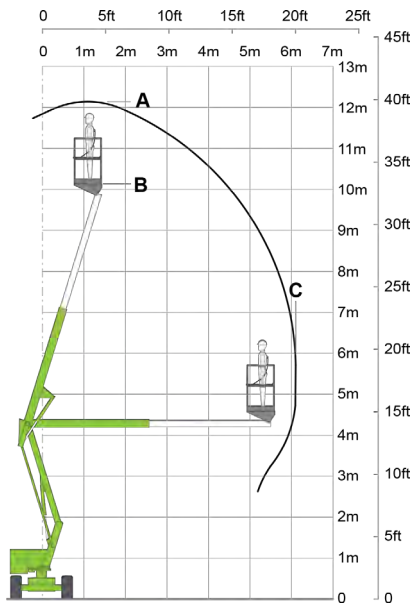
**FOR INTERNAL AND EXTERNAL USE
FLAT LEVEL SURFACE ONLY**

HIRE RATES

Code	1 day	+1 day	1 week	4 weeks
350076	£215.00	£100.00	£415.00	£330.00*

* Price per week. 4 week rates must be agreed at time of hire.

WORKING OUTREACH CHART



SKYJACK SJ30

TECHNICAL SPECIFICATION

	Metric
Working Height:	11m
Platform Height:	9m
Height Stowed:	2.01m
Working Outreach:	6.25m
Length Stowed:	5.44m
Platform Size (L x W):	0.76 x 1.17m
Lift Capacity:	227kg
Turning Radius Outside:	3.23m
Power Source:	Battery
Gradeability:	35%
Weight:	5,750kg
Maximum Number of People:	2+ Tools

CODE: 350178

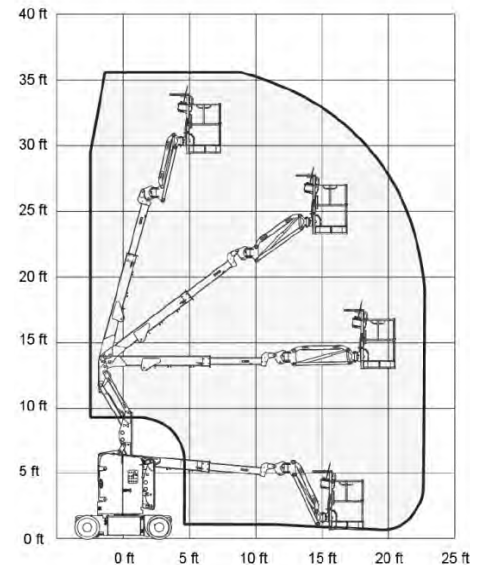
**FOR INTERNAL AND EXTERNAL USE
SOLID FLAT SURFACE ONLY**

HIRE RATES

Code	1 day	+1 day	1 week	4 weeks
350178	£210.00	£105.00	£390.00	£315.00*

* Price per week. 4 week rates must be agreed at time of hire.

WORKING OUTREACH CHART



WARNING - EQUIPMENT SPECIFICATION MAY VARY SLIGHTLY. IF IN DOUBT PLEASE PHONE TO CHECK

All prices shown exclude VAT. 4 week rates must be agreed at time of hire.

SELF PROPELLED HR17 NARROW HYBRID

TECHNICAL SPECIFICATION

	Metric
Working Height:	17m
Platform Floor Height:	15m
Height Stowed:	1.99m
Working Outreach	9.7m
Length:	6.4m
Length Stowed:	4.93m
Width:	1.5m
Turning Radius Outside:	3.5m
Platform Size (L x W):	0.8 x 1.5m
Lift Capacity:	225kg
Power Source:	Hybrid (Diesel Engine & Battery)
Gradability:	25%
Weight:	7,650kg
Maximum Number of People:	2+ tools

CODE: 350095

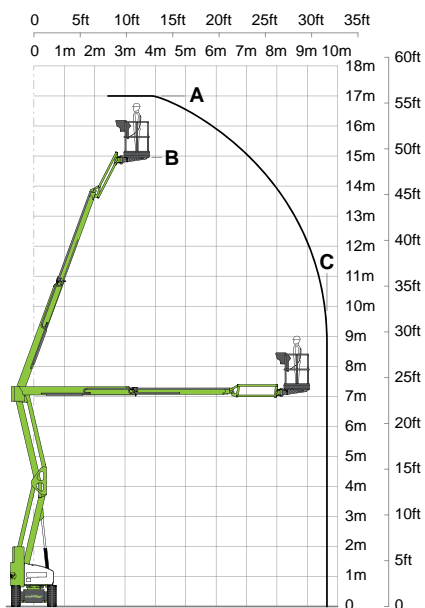
FOR INTERNAL AND EXTERNAL USE
SOLID FLAT SURFACE ONLY

HIRE RATES

Code	1 day	+1 day	1 week	4 weeks
350095	£295.00	£110.00	£520.00	£420.00*

* Price per week. 4 week rates must be agreed at time of hire.

WORKING OUTREACH CHART



SELF PROPELLED HR17 HYBRID 4X4

TECHNICAL SPECIFICATION

	Metric
Working Height:	17m
Platform Floor Height:	15m
Height Stowed:	2.15m
Working Outreach	9.3m
Length:	6.3m
Length Stowed:	5m
Width:	2m
Turning Radius Outside:	3.7m
Platform Size (L x W):	0.85 x 1.8m
Lift Capacity:	225kg
Power Source:	Hybrid (Diesel Engine & Battery)
Gradability:	40%
Weight:	4,750kg
Maximum Number of People:	2+ tools

CODE: 350090

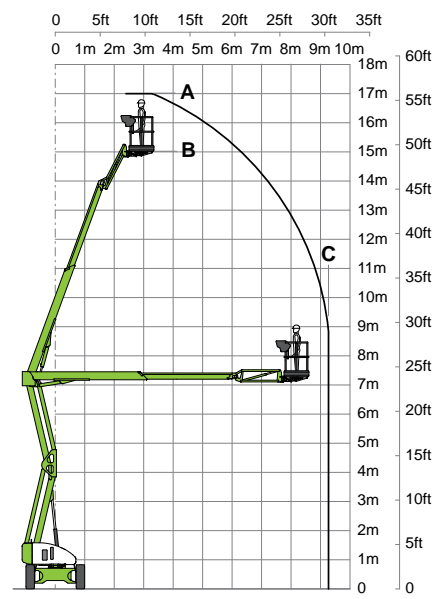
FOR INTERNAL AND EXTERNAL USE
FLAT LEVEL SURFACE ONLY

HIRE RATES

Code	1 day	+1 day	1 week	4 weeks
350090	£295.00	£110.00	£520.00	£420.00*

* Price per week. 4 week rates must be agreed at time of hire.

WORKING OUTREACH CHART



WARNING - EQUIPMENT SPECIFICATION MAY VARY SLIGHTLY. IF IN DOUBT PLEASE PHONE TO CHECK

All prices shown exclude VAT. 4 week rates must be agreed at time of hire.

**SELF PROPELLED
HR21 HYBRID 4X4**

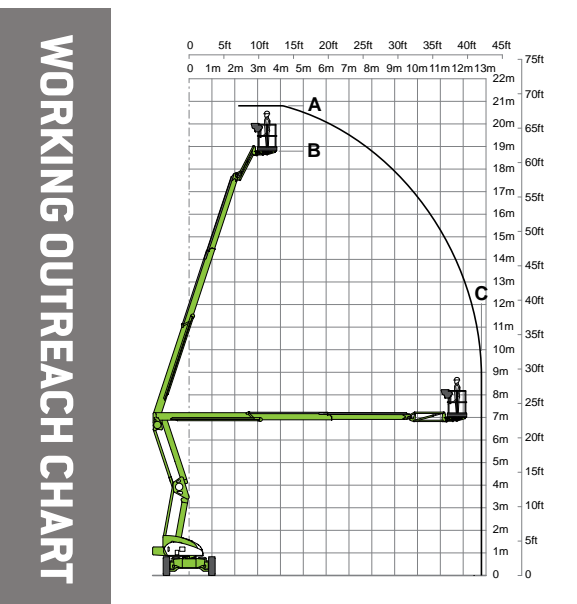
TECHNICAL SPECIFICATION	
	Metric
Working Height:	21m
Platform Floor Height:	19m
Height Stowed:	2.15m
Working Outreach	12.8m
Length:	6.7m
Length Stowed:	5.3m
Width:	2.27m
Turning Radius Outside:	4m
Platform Size (L x W):	0.85 x 1.8m
Lift Capacity:	225kg
Power Source:	Hybrid (Diesel Engine & Battery)
Gradability:	40%
Weight:	6,500kg
Maximum Number of People:	2+ tools

CODE: 350145

**FOR INTERNAL AND EXTERNAL USE
FLAT LEVEL SURFACE ONLY**

HIRE RATES				
Code	1 day	+1 day	1 week	4 weeks
350145	£435.00	£110.00	£650.00	£525.00*

* Price per week. 4 week rates must be agreed at time of hire.



**SELF PROPELLED
HR28 HYBRID 4X4**

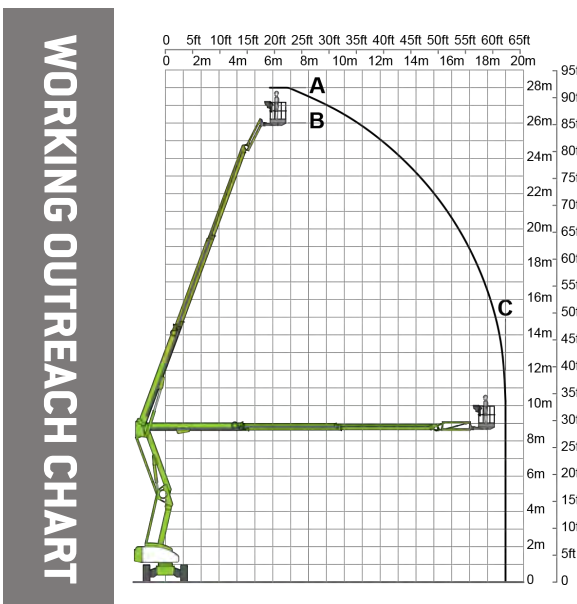
TECHNICAL SPECIFICATION	
	Metric
Working Height:	28m
Platform Floor Height:	26m
Height Stowed:	2.7m
Working Outreach	19m
Length:	9.28m
Length Stowed:	7.3m
Width:	2.49m
Turning Radius Outside:	5.9m
Platform Size (L x W):	0.9 x 2.4m
Lift Capacity:	280kg
Power Source:	Hybrid (Diesel Engine & Battery)
Gradability:	40%
Weight:	14,650kg
Maximum Number of People:	2+ tools

CODE: 350147

**FOR INTERNAL AND EXTERNAL USE
FLAT LEVEL SURFACE ONLY**

HIRE RATES				
Code	1 day	+1 day	1 week	4 weeks
350147	£595.00	£300.00	£1,195.00	£956.00*

* Price per week. 4 week rates must be agreed at time of hire.



WARNING - EQUIPMENT SPECIFICATION MAY VARY SLIGHTLY. IF IN DOUBT PLEASE PHONE TO CHECK
All prices shown exclude VAT. 4 week rates must be agreed at time of hire.

ROUGH TERRAIN

If your work takes you on uneven surfaces, our range of Rough Terrain machines will keep you stable and safe.

SAFETY FEATURES

- Rough Terrain tyres or tracks fitted to traverse uneven ground
- Emergency stop switch at both platform and ground controls
- Heavy-duty guardrails
- Built in lanyard attachment point
- Solid deck with slip-resistant surface
- Emergency descent lowering valve

BENEFITS

- Various machines have outreach capabilities to overcome obstacles
- Easily traverse gradients
- Can be used both indoors and outdoors
- Electric and Diesel machines both available
- Various machines have hydraulic legs for uneven ground

WHEN HIRING YOU WILL BE PROVIDED WITH:

- A certificate of Thorough Examination (LOLER)
- Operators Instruction Manual

HANDOVER FAMILIARISATION TO ENSURE YOU UNDERSTAND

- Basic functions of the unit
- Pre-operational safety checks and maintenance
- Setting up procedure
- Site conditions and safety



* Please note that Handover Familiarisation is not a replacement for training in the correct use of powered access equipment

26' ROUGH TERRAIN 4X4 DIESEL SCISSOR LIFT

TECHNICAL SPECIFICATION	
	Metric
Working Height:	9.92m
Platform Height:	7.92m
Height Stowed (Guardrails down):	1.61m
Height Stowed (Guardrails up):	2.37m
Length:	3.35m
Width:	1.76m
Ground Clearance:	0.2m
Platform Length - Stowed:	2.44m
Platform Length - Extended (Deck out):	3.96m
Platform Width (Inside):	1.42m
Lift Capacity:	567kg
Deck Extension	1.52m
Turning Radius Outside:	3.96m
Turning Radius Inside:	1.52m
Power Source:	Diesel
Tyres:	Rough Terrain Rubber
Gradeability:	50%
Weight:	3,305kg
Maximum Number of People:	4+ Tools

CODE: 350180

**MACHINE IS 4X4
SELF LEVELLING JACK LEGS**

HIRE RATES				
Code	1 day	+1 day	1 week	4 weeks
350180	£160.00	£60.00	£280.00	£225.00*

* Price per week. 4 week rates must be agreed at time of hire.



27' ROUGH TERRAIN 4X4 NARROW SCISSOR LIFT

TECHNICAL SPECIFICATION	
	Metric
Working Height:	10.1m
Platform Height:	8.1m
Height Stowed (Guardrails down):	2.13m
Height Stowed (Guardrails up):	2.35m
Length:	3.3m
Width:	1.45m
Ground Clearance:	260mm
Platform Length - Stowed:	2.73m
Platform Length - Extended (Deck out):	3.93m
Platform Width (Inside):	1.4m
Lift Capacity:	300kg
Deck Extension:	1.2m
Turning Radius Outside:	4.75m
Turning Radius Inside:	2.5m
Power Source:	Diesel
Tyres:	Rough Terrain Rubber
Gradeability:	35%
Weight:	2,750kg
Maximum Number of People:	2+ Tools

CODE: 350188

**MACHINE IS 4X4
SELF LEVELLING JACK LEGS**

HIRE RATES				
Code	1 day	+1 day	1 week	4 weeks
350188	£190.00	£65.00	£325.00	£260.00*

* Price per week. 4 week rates must be agreed at time of hire.



WARNING - EQUIPMENT SPECIFICATION MAY VARY SLIGHTLY. IF IN DOUBT PLEASE PHONE TO CHECK
All prices shown exclude VAT. 4 week rates must be agreed at time of hire.

32' ROUGH TERRAIN 4X4 DIESEL SCISSOR LIFT

TECHNICAL SPECIFICATION

	Metric
Working Height:	11.75m
Platform Height:	9.75m
Height Stowed (Guardrails down):	1.75m
Height Stowed (Guardrails up):	2.51m
Length:	3.35m
Width:	1.76m
Ground Clearance:	0.2m
Platform Length - Stowed:	2.44m
Platform Length - Extended (Deck out):	3.96m
Platform Width (Inside):	1.42m
Lift Capacity:	454kg
Deck Extension:	1.52m
Turning Radius Outside:	3.96m
Turning Radius Inside:	1.52m
Power Source:	Diesel
Tyres:	Rough Terrain Rubber
Gradeability:	40%
Weight:	3,781kg
Maximum Number of People:	4+ Tools

CODE: 350185

**MACHINE IS 4X4
SELF LEVELLING JACK LEGS**

HIRE RATES

Code	1 day	+1 day	1 week	4 weeks
350185	£190.00	£65.00	£325.00	£260.00*

* Price per week. 4 week rates must be agreed at time of hire.



32' ROUGH TERRAIN 4X4 ELECTRIC SCISSOR LIFT

TECHNICAL SPECIFICATION

	Metric
Working Height:	11.75m
Platform Height:	9.75m
Height Stowed (Guardrails down):	1.75m
Height Stowed (Guardrails up):	2.51m
Length:	3.35m
Width:	1.76m
Ground Clearance:	0.2m
Platform Length - Stowed:	2.44m
Platform Length - Extended (Deck out):	3.96m
Platform Width (Inside):	1.42m
Lift Capacity:	454kg
Deck Extension:	1.52m
Turning Radius Outside:	3.96m
Turning Radius Inside:	1.52m
Power Source:	Battery
Tyres:	Non-Marking Rough Terrain
Gradeability:	45%
Weight:	3,844kg
Maximum Number of People:	4+ Tools

CODE: 350186

**MACHINE IS 4X4
SELF LEVELLING JACK LEGS**

HIRE RATES

Code	1 day	+1 day	1 week	4 weeks
350185	£200.00	£70.00	£340.00	£280.00*

* Price per week. 4 week rates must be agreed at time of hire.



WARNING - EQUIPMENT SPECIFICATION MAY VARY SLIGHTLY. IF IN DOUBT PLEASE PHONE TO CHECK
All prices shown exclude VAT. 4 week rates must be agreed at time of hire.

50' ROUGH TERRAIN 4X4 DIESEL SCISSOR LIFT

TECHNICAL SPECIFICATION

	Metric
Working Height:	17.24m
Platform Height:	15.24m
Height Stowed (Guardrails down):	2.29m
Height Stowed (Guardrails up):	3.17m
Length:	4.47m
Width:	2.34m
Ground Clearance:	20cm
Platform Length - Stowed:	4.27m
Platform Length - Extended (Deck out):	7.31m
Platform Width (Inside):	1.88m
Lift Capacity:	680kg
Deck Extension (Each End):	1.52m
Turning Radius Outside:	7.65m
Turning Radius Inside:	5.33m
Power Source:	Diesel
Tyres:	Rough Terrain Rubber
Gradeability:	30%
Weight:	6,895kg
Maximum Number of People:	5+ Tools

CODE: 350190

**MACHINE IS 4X4
SELF LEVELLING JACK LEGS**

HIRE RATES

Code	1 day	+1 day	1 week	4 weeks
350190	£240.00	£90.00	£420.00	£335.00*

* Price per week. 4 week rates must be agreed at time of hire.



SELF DRIVE NIFTY SD120TBE 4X4

TECHNICAL SPECIFICATION

	Metric
Working Height:	12.65m
Platform Height:	10.65m
Height Stowed:	1.95m
Working Outreach:	6.1m
Length:	3.9m
Width:	1.56m
Width (with stabilisers deployed):	3.2m
Platform Length:	0.65mm
Platform Width:	1.1m
Lift Capacity:	200kg
Turning Radius Outside:	3.9m
Power Source:	Diesel/Battery
Gradeability:	45%
Weight:	2,260kg
Maximum Number of People:	2+ Tools

CODE: 350080

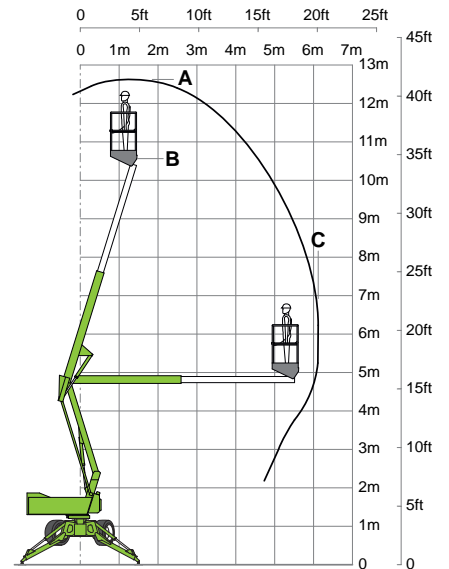
**FOR INTERNAL AND EXTERNAL USE
ADJUSTABLE LEVELLING LEGS**

HIRE RATES

Code	1 day	+1 day	1 week	4 weeks
350080	£215.00	£100.00	£415.00	£330.00*

* Price per week. 4 week rates must be agreed at time of hire.

WORKING OUTREACH CHART



WARNING - EQUIPMENT SPECIFICATION MAY VARY SLIGHTLY. IF IN DOUBT PLEASE PHONE TO CHECK
All prices shown exclude VAT. 4 week rates must be agreed at time of hire.

SELF DRIVE NIFTY SD170TBE 4X4

TECHNICAL SPECIFICATION

	Metric
Working Height:	17.1m
Platform Height:	15.1m
Height Stowed:	2.1m
Working Outreach:	8.7m
Length:	5.6m
Width:	1.6m
Width (with stabilisers deployed):	4.4m
Platform Length:	0.65m
Platform Width:	1.1m
Lift Capacity:	200kg
Turning Radius Outside:	5.2m
Power Source:	Diesel/Battery
Gradeability:	30%
Weight:	2,750kg
Maximum Number of People:	2+ Tools

CODE: 350082

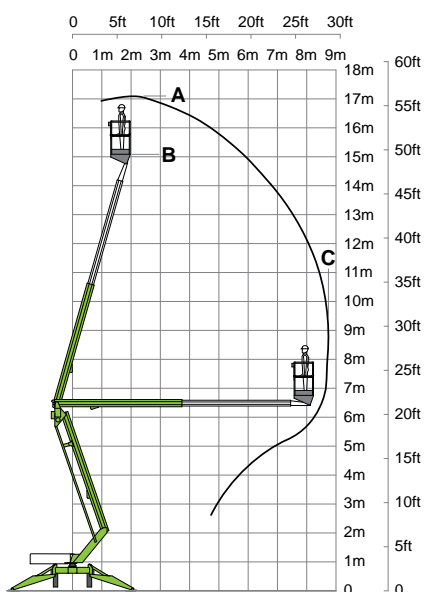
FOR INTERNAL AND EXTERNAL USE
ADJUSTABLE LEVELLING LEGS

HIRE RATES

Code	1 day	+1 day	1 week	4 weeks
350082	£315.00	£100.00	£515.00	£412.00*

* Price per week. 4 week rates must be agreed at time of hire.

WORKING OUTREACH CHART



SELF PROPELLED HR12 BI-ENERGY 4X4

TECHNICAL SPECIFICATION

	Metric
Working Height:	12.2m
Platform Floor Height:	10.2m
Height Stowed:	1.95m
Working Outreach:	6.1m
Length:	4.10m
Width:	1.6m
Platform Size (L x W):	0.65 x 1.1m
Lift Capacity:	200kg
Turning Radius (Outside):	4.3m
Power Source:	Bi-Energy (Diesel Engine & Battery)
Gradability:	30%
Weight:	3,470kg
Maximum Number of People:	2+ Tools

CODE: 350076

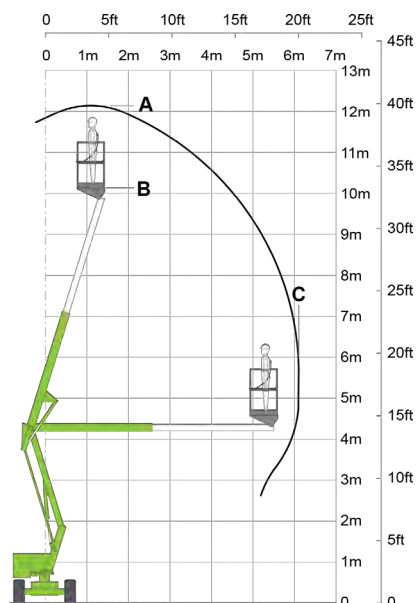
FOR INTERNAL AND EXTERNAL USE
SOLID FLAT SURFACE ONLY

HIRE RATES

Code	1 day	+1 day	1 week	4 weeks
350076	£215.00	£100.00	£415.00	£330.00*

* Price per week. 4 week rates must be agreed at time of hire.

WORKING OUTREACH CHART



WARNING - EQUIPMENT SPECIFICATION MAY VARY SLIGHTLY. IF IN DOUBT PLEASE PHONE TO CHECK

All prices shown exclude VAT. 4 week rates must be agreed at time of hire.

TRACKED NIFTY TD120T NARROW

TECHNICAL SPECIFICATION

	Metric
Working Height:	12.2m
Platform Floor Height:	10.2m
Height Stowed:	1.9m
Working Outreach	6.1m
Length:	3.95m
Width (with tracks in):	0.75m
Width (with stabilisers deployed):	3m
Platform Width:	0.75m
Lift Capacity:	120kg
Power Source:	Diesel/Mains 110v
Gradability:	60%
Weight:	1,850kg
Maximum Number of People:	1+ Tools

CODE: 350086

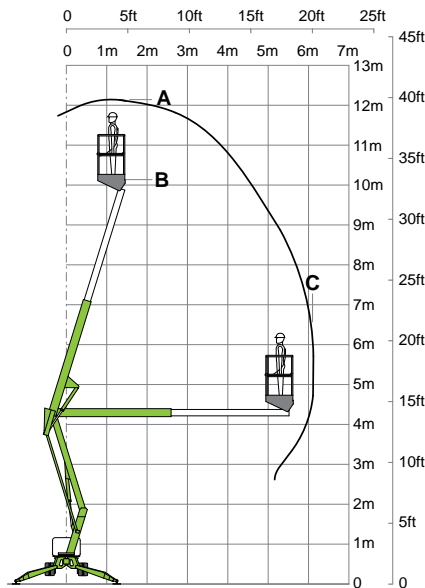
FOR INTERNAL AND EXTERNAL USE
ADJUSTABLE LEVELLING LEGS

HIRE RATES

Code	1 day	+1 day	1 week	4 weeks
350086	£240.00	£125.00	£495.00	£395.00*

* Price per week. 4 week rates must be agreed at time of hire.

WORKING OUTREACH CHART



SELF PROPELLED HR17 HYBRID 4X4

TECHNICAL SPECIFICATION

	Metric
Working Height:	17m
Platform Floor Height:	15m
Height Stowed:	2.15m
Working Outreach	9.3m
Length:	6.3m
Length Stowed:	5m
Width:	2m
Turning Radius Outside:	3.7m
Platform Size (L x W):	0.85 x 1.8m
Lift Capacity:	225kg
Power Source:	Hybrid (Diesel Engine & Battery)
Gradability:	40%
Weight:	4,750kg
Maximum Number of People:	2+ tools

CODE: 350090

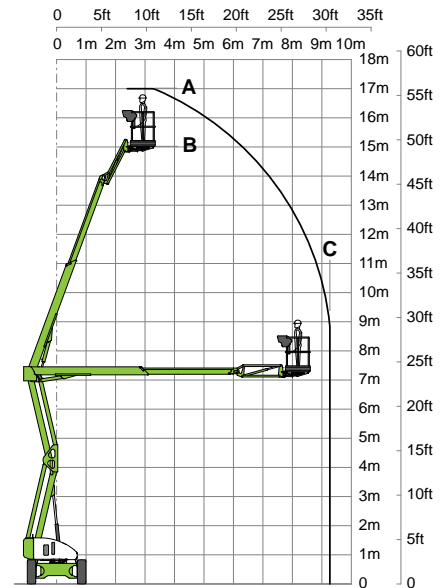
FOR INTERNAL AND EXTERNAL USE
SOLID FLAT SURFACE ONLY

HIRE RATES

Code	1 day	+1 day	1 week	4 weeks
350090	£295.00	£110.00	£520.00	£420.00*

* Price per week. 4 week rates must be agreed at time of hire.

WORKING OUTREACH CHART



WARNING - EQUIPMENT SPECIFICATION MAY VARY SLIGHTLY. IF IN DOUBT PLEASE PHONE TO CHECK
All prices shown exclude VAT. 4 week rates must be agreed at time of hire.

SELF PROPELLED HR21 HYBRID 4X4

TECHNICAL SPECIFICATION

	Metric
Working Height:	21m
Platform Floor Height:	19m
Height Stowed:	2.15m
Working Outreach	12.8m
Length:	6.7m
Length Stowed:	5.3m
Width:	2.27m
Turning Radius Outside:	4m
Platform Size (L x W):	0.85 x 1.8m
Lift Capacity:	225kg
Power Source:	Hybrid (Diesel Engine & Battery)
Gradability:	40%
Weight:	6,500kg
Maximum Number of People:	2+ tools

CODE: 350145

FOR INTERNAL AND EXTERNAL USE
SOLID FLAT SURFACE ONLY

HIRE RATES

Code	1 day	+1 day	1 week	4 weeks
350145	£435.00	£110.00	£650.00	£525.00*

* Price per week. 4 week rates must be agreed at time of hire.

SELF PROPELLED HR28 HYBRID 4X4

TECHNICAL SPECIFICATION

	Metric
Working Height:	28m
Platform Floor Height:	26m
Height Stowed:	2.7m
Working Outreach	19m
Length:	9.28m
Length Stowed:	7.3m
Width:	2.49m
Turning Radius Outside:	5.9m
Platform Size (L x W):	0.9 x 2.4m
Lift Capacity:	280kg
Power Source:	Hybrid (Diesel Engine & Battery)
Gradability:	40%
Weight:	14,650kg
Maximum Number of People:	2+ tools

CODE: 350147

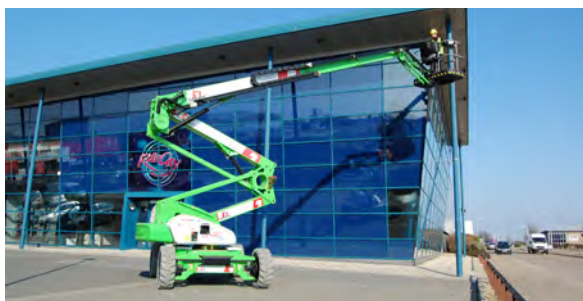
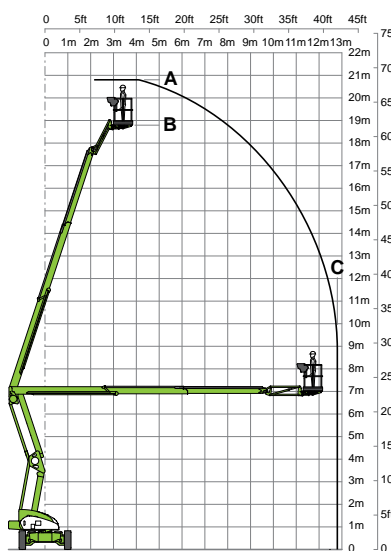
FOR INTERNAL AND EXTERNAL USE
SOLID FLAT SURFACE ONLY

HIRE RATES

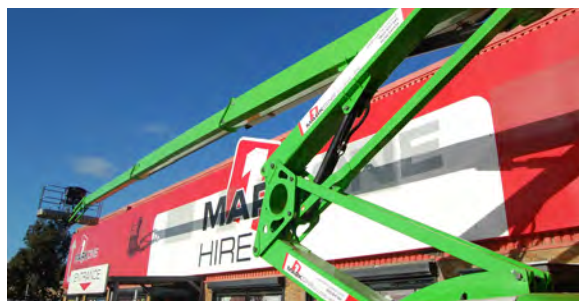
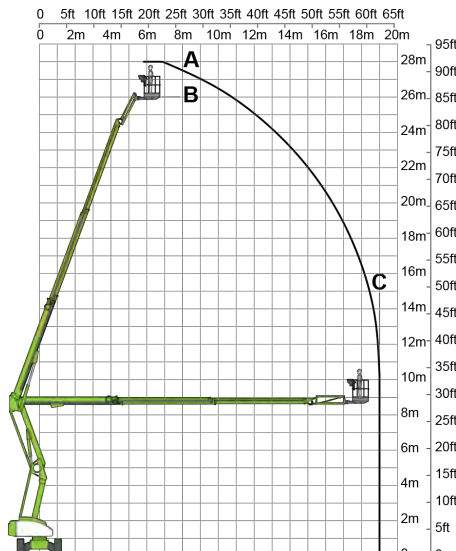
Code	1 day	+1 day	1 week	4 weeks
350147	£595.00	£300.00	£1,195.00	£956.00*

* Price per week. 4 week rates must be agreed at time of hire.

WORKING OUTREACH CHART



WORKING OUTREACH CHART



WARNING - EQUIPMENT SPECIFICATION MAY VARY SLIGHTLY. IF IN DOUBT PLEASE PHONE TO CHECK
All prices shown exclude VAT. 4 week rates must be agreed at time of hire.

TOWABLE BOOM LIFTS

These machines are road towable and can be transported easily from site to site and set up quickly using built-in hydraulic outriggers.

SAFETY FEATURES

- Audible platform overload alarm
- Emergency stop switch at both platform and ground controls
- Heavy-duty guardrails
- Built in lanyard attachment point
- Solid deck with slip-resistant surface
- Emergency descent lowering valve



WHEN HIRING YOU WILL BE PROVIDED WITH:

- A certificate of Thorough Examination (LOLER)
- Operators Instruction Manual

HANDOVER FAMILIARISATION TO ENSURE YOU UNDERSTAND

- Basic functions of the unit
- Pre-operational safety checks and maintenance
- Setting up procedure
- Site conditions and safety

BENEFITS

- Outreach capabilities to overcome obstacles
- Fully proportional hydraulic controls
- Telescopic upper boom
- Bi-Energy - petrol\diesel and battery
- Various machines have hydraulic legs for uneven ground



* Please note that Handover Familiarisation is not a replacement for training in the correct use of powered access equipment

**TOWABLE BOOM LIFT
NIFT 120TBE**

TECHNICAL SPECIFICATION

	Metric
Working Height:	12.2m
Platform Floor Height:	10.2m
Height Stowed:	1.9m
Working Outreach	6.1m
Length:	4.5m
Travelling Width:	1.5m
Working Width (Legs Deployed):	3.55m
Axles Retracted Width:	1.1m
Slew	360°
Platform Size (L x W):	0.65 x 1.1m
Lift Capacity:	200kg
Power Source:	Bi-Energy (Petrol & Battery)
Wind Speed:	12.5m/s
Weight:	1,400kg
Maximum Number of People:	2+ tools

CODE: 350060

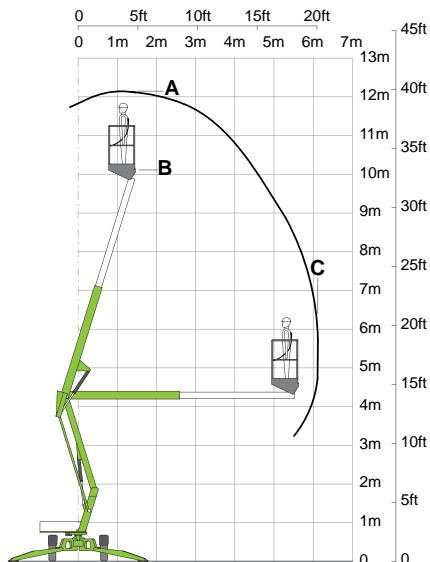
FOR INTERNAL AND EXTERNAL USE
ADJUSTABLE LEVELLING LEGS

HIRE RATES

Code	1 day	+1 day	1 week	4 weeks
350060	£120.00	£115.00	£350.00	£280.00*

* Price per week. 4 week rates must be agreed at time of hire.

WORKING OUTREACH CHART



**TOWABLE BOOM LIFT
NIFTY 170TBE**

TECHNICAL SPECIFICATION

	Metric
Working Height:	17.1m
Platform Floor Height:	15.1m
Height Stowed:	2.15m
Working Outreach	8.7m
Length:	6.2m
Travelling Width:	1.72m
Working Width (Legs Deployed):	4.4m
Slew	360°
Platform Size (L x W):	0.65 x 1.1m
Lift Capacity:	200kg
Power Source:	Bi-Energy (Diesel & Battery)
Wind Speed:	12.5m/s
Weight:	2,220kg
Maximum Number of People:	2+ tools

CODE: 350070

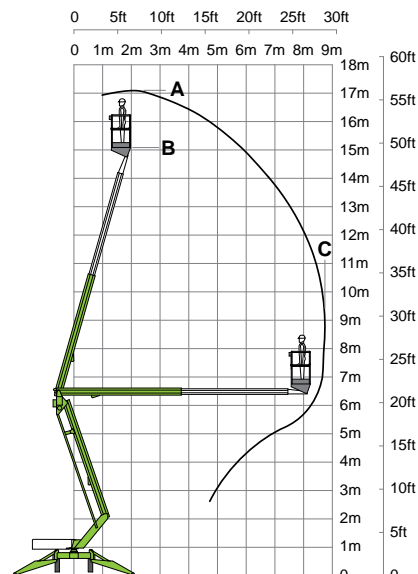
FOR INTERNAL AND EXTERNAL USE
ADJUSTABLE LEVELLING LEGS

HIRE RATES

Code	1 day	+1 day	1 week	4 weeks
350070	£170.00	£127.50	£425.00	£340.00*

* Price per week. 4 week rates must be agreed at time of hire.

WORKING OUTREACH CHART



WARNING - EQUIPMENT SPECIFICATION MAY VARY SLIGHTLY. IF IN DOUBT PLEASE PHONE TO CHECK

All prices shown exclude VAT. 4 week rates must be agreed at time of hire.

ALUMINIUM TOWERS

BoSS ALUMINIUM TOWERS 6' X 5' (1800mm X 1450mm)

HIRE RATES

Code	Height	1 day	+1 day	1 week	4 weeks
BOSS1.2	1.2m/3'11"	£35.00	£5.00	£45.00	£36.00*
BOSS2.2	2.2m/7'2"	£43.00	£6.00	£55.00	£44.00*
BOSS3.2	3.2m/10'8"	£52.00	£6.50	£65.00	£52.00*
BOSS4.2	4.2m/13'10"	£68.00	£7.00	£82.00	£65.50*
BOSS5.2	5.2m/17'1"	£75.00	£10.00	£95.00	£76.00*
BOSS6.2	6.2m/20'4"	£89.00	£10.50	£110.00	£88.00*
BOSS7.2	7.2m/23'7"	£105.00	£12.00	£129.00	£103.00*
BOSS8.2	8.2m/26'11"	£120.00	£12.50	£145.00	£116.00*
BOSS9.2	9.2m/30'3"	£130.00	£12.50	£155.00	£124.00*
BOSS10.2	10.2m/33'6"	£135.00	£12.50	£170.00	£136.00*
BOSS11.2	11.2m/36'9"	£140.00	£22.50	£185.00	£148.00*
BOSS12.2	12.2m/40'	£150.00	£25.00	£200.00	£160.00*

IMPORTANT - EXTERNAL TOWERS ABOVE 8.2M AND INTERNAL TOWERS ABOVE 11.2M MUST BE TIED IN TO A RIGID STRUCTURE IN ACCORDANCE WITH THE TOWER INSTRUCTION MANUAL

* Price per week. 4 week rates must be agreed at time of hire. Heights specified are platform height, not working height.

BoSS ALUMINIUM NARROW TOWERS 6' X 3' (1800mm X 910mm)

HIRE RATES

Code	Height	1 day	+1 day	1 week	4 weeks
NARROW1.2	1.2m/3'11"	£35.00	£5.00	£45.00	£36.00*
NARROW2.2	2.2m/7'2"	£43.00	£6.00	£55.00	£44.00*
NARROW3.2	3.2m/10'8"	£52.00	£6.50	£65.00	£52.00*
NARROW4.2	4.2m/13'10"	£68.00	£7.00	£82.00	£65.50*
NARROW5.2	5.2m/17'1"	£75.00	£10.00	£95.00	£76.00*
NARROW6.2	6.2m/20'4"	£89.00	£10.50	£110.00	£88.00*
NARROW7.2	7.2m/23'7"	£105.00	£12.00	£129.00	£103.00*
NARROW8.2	8.2m/26'11"	£120.00	£12.50	£145.00	£116.00*
NARROW9.2	9.2m/30'3"	£130.00	£12.50	£155.00	£124.00*
NARROW10.2	10.2m/33'6"	£135.00	£12.50	£170.00	£136.00*
NARROW11.2	11.2m/36'9"	£140.00	£22.50	£185.00	£148.00*
NARROW12.2	12.2m/40'	£150.00	£25.00	£200.00	£160.00*

IMPORTANT - EXTERNAL TOWERS ABOVE 8.2M AND INTERNAL TOWERS ABOVE 11.2M MUST BE TIED IN TO A RIGID STRUCTURE IN ACCORDANCE WITH THE TOWER INSTRUCTION MANUAL

* Price per week. 4 week rates must be agreed at time of hire. Heights specified are platform height, not working height.



TOWERS AVAILABLE FOR HIRE AT OUR SOUTHEND, RAYLEIGH, BASILDON AND CHELMSFORD HIRE CENTRES. THEY ARE READY FOR COLLECTION OR DELIVERY. PLEASE CONTACT US FOR MORE INFORMATION

WARNING - EQUIPMENT SPECIFICATION MAY VARY SLIGHTLY. IF IN DOUBT PLEASE PHONE TO CHECK
All prices shown exclude VAT. 4 week rates must be agreed at time of hire.

**AGR BoSS ALUMINIUM TOWERS
(ADVANCED GUARD RAIL)
6' X 5' (1800mm X 1450mm)**

HIRE RATES

Code	Height	1 day	+1 day	1 week	4 weeks
BOSS2.2A	2.2m/7'2"	£43.00	£6.00	£55.00	£44.00*
BOSS2.7A	2.7m/8'10"	£51.00	£6.50	£64.00	£51.00*
BOSS3.7A	3.7m/12'1"	£59.00	£7.00	£73.00	£58.00*
BOSS4.2A	4.2m/13'10"	£68.00	£7.00	£82.00	£65.50*
BOSS4.7A	4.7m/15'5"	£75.00	£8.00	£91.00	£73.00*
BOSS5.7A	5.7m/18'8"	£82.00	£9.00	£100.00	£80.00*
BOSS6.2A	6.2m/20'4"	£89.00	£10.50	£110.00	£88.00*
BOSS6.7A	6.7m/22'	£99.00	£11.00	£121.00	£116.00*
BOSS7.7A	7.7m/25'3"	£109.00	£11.50	£132.00	£105.50*
BOSS8.2A	8.2m/26'11"	£120.00	£12.50	£145.00	£116.00*
BOSS8.7A	8.7m/28'6"	£125.00	£14.00	£153.00	£122.50*
BOSS9.7A	9.7m/31'10"	£130.00	£15.50	£161.00	£129.00*
BOSS10.2A	10.2m/33'5"	£135.00	£17.50	£170.00	£136.00*
BOSS10.7A	10.7m/35'1"	£140.00	£20.00	£180.00	£144.00*
BOSS11.7A	11.7m/38'4"	£145.00	£22.50	£190.00	£152.00*
BOSS12.2A	12.2m/40'	£150.00	£25.00	£200.00	£160.00*

IMPORTANT - EXTERNAL TOWERS ABOVE 8.2M AND INTERNAL TOWERS ABOVE 11.2M MUST BE TIED IN TO A RIGID STRUCTURE IN ACCORDANCE WITH THE TOWER INSTRUCTION MANUAL

* Price per week. 4 week rates must be agreed at time of hire. Heights specified are platform height, not working height.

**AGR BoSS NARROW ALUMINIUM TOWERS (ADVANCED GUARD RAIL)
6' X 3' (1800mm X 910mm)**

HIRE RATES

Code	Height	1 day	+1 day	1 week	4 weeks
NARROW2.2A	2.2m/7'2"	£43.00	£6.00	£55.00	£44.00*
NARROW2.7A	2.7m/8'10"	£51.00	£6.50	£64.00	£51.00*
NARROW3.7A	3.7m/12'1"	£59.00	£7.00	£73.00	£58.00*
NARROW4.2A	4.2m/13'10"	£68.00	£7.00	£82.00	£65.50*
NARROW4.7A	4.7m/15'5"	£75.00	£8.00	£91.00	£73.00*
NARROW5.7A	5.7m/18'8"	£82.00	£9.00	£100.00	£80.00*
NARROW6.2A	6.2m/20'4"	£89.00	£10.50	£110.00	£88.00*
NARROW6.7A	6.7m/22'	£99.00	£11.00	£121.00	£116.00*
NARROW7.7A	7.7m/25'3"	£109.00	£11.50	£132.00	£105.50*
NARROW8.2A	8.2m/26'11"	£120.00	£12.50	£145.00	£116.00*
NARROW8.7A	8.7m/28'6"	£125.00	£14.00	£153.00	£122.50*
NARROW9.7A	9.7m/31'10"	£130.00	£15.50	£161.00	£129.00*
NARROW10.2A	10.2m/33'5"	£135.00	£17.50	£170.00	£136.00*
NARROW10.7A	10.7m/35'1"	£140.00	£20.00	£180.00	£144.00*
NARROW11.7A	11.7m/38'4"	£145.00	£22.50	£190.00	£152.00*
NARROW12.2A	12.2m/40'	£150.00	£25.00	£200.00	£160.00*

IMPORTANT - EXTERNAL TOWERS ABOVE 8.2M AND INTERNAL TOWERS ABOVE 11.2M MUST BE TIED IN TO A RIGID STRUCTURE IN ACCORDANCE WITH THE TOWER INSTRUCTION MANUAL

* Price per week. 4 week rates must be agreed at time of hire. Heights specified are platform height, not working height.



WARNING - EQUIPMENT SPECIFICATION MAY VARY SLIGHTLY. IF IN DOUBT PLEASE PHONE TO CHECK
All prices shown exclude VAT. 4 week rates must be agreed at time of hire.

GRP TOWERS

GRP ZONE 1 TOWERS 6' X 5' (1800mm X 1450mm)

HIRE RATES

Code	Height	1 week	4 weeks
GRPL1.2	1.2m/3'11"	£100.00	£80.00*
GRPL2.2	2.2m/7'2"	£110.00	£88.00*
GRPL3.2	3.2m/10'8"	£125.00	£100.00*
GRPL4.2	4.2m/13'10"	£135.00	£108.00*
GRPL5.2	5.2m/17'1"	£145.00	£116.00*
GRPL6.2	6.2m/20'4"	£170.00	£136.00*
GRPL7.2	7.2m/23'7"	£195.00	£156.00*
GRPL8.2	8.2m/26'11"	£225.00	£180.00*
GRPL9.2	9.2m/30'3"	£240.00	£192.00*
GRPL10.2	10.2m/33'6"	£275.00	£220.00*
GRPL11.2	11.2m/36'9"	£300.00	£240.00*
GRPL12.2	12.2m/40'	£325.00	£260.00*

IMPORTANT - TOWERS ABOVE 8.2m ARE FOR INTERNAL USE ONLY

* Price per week. 4 week rates must be agreed at time of hire. Heights specified are platform height, not working height.

GRP ZONE 1 NARROW TOWERS 6' X 3' (1800mm X 910mm)

HIRE RATES

Code	Height	1 week	4 weeks
GRPNL1.2	1.2m/3'11"	£100.00	£80.00*
GRPNL2.2	2.2m/7'2"	£110.00	£88.00*
GRPNL3.2	3.2m/10'8"	£125.00	£100.00*
GRPNL4.2	4.2m/13'10"	£135.00	£108.00*
GRPNL5.2	5.2m/17'1"	£145.00	£116.00*
GRPNL6.2	6.2m/20'4"	£170.00	£136.00*
GRPNL7.2	7.2m/23'7"	£195.00	£156.00*
GRPNL8.2	8.2m/26'11"	£225.00	£180.00*
GRPNL9.2	9.2m/30'3"	£240.00	£192.00*
GRPNL10.2	10.2m/33'6"	£275.00	£220.00*
GRPNL11.2	11.2m/36'9"	£300.00	£240.00*
GRPNL12.2	12.2m/40'	£325.00	£260.00*

IMPORTANT - TOWERS ABOVE 8.2m ARE FOR INTERNAL USE ONLY

* Price per week. 4 week rates must be agreed at time of hire. Heights specified are platform height, not working height.



TOWERS AVAILABLE FOR HIRE AT OUR SOUTHEND, RAYLEIGH, BASILDON AND CHELMSFORD HIRE CENTRES. THEY ARE READY FOR COLLECTION OR DELIVERY. PLEASE CONTACT US FOR MORE INFORMATION

WARNING - EQUIPMENT SPECIFICATION MAY VARY SLIGHTLY. IF IN DOUBT PLEASE PHONE TO CHECK
All prices shown exclude VAT. 4 week rates must be agreed at time of hire.

OTHER TOWERS

CANTILEVER TOWERS

HIRE RATES

Code	Height	1 week	4 weeks
CANT2.2	2.2m/7'2" (Complete)	£95.00	£76.00*
CANT3.2	3.2m/10'8" (Complete)	£109.00	£87.00*
CANT4.2	4.2m/13'10" (Complete)	£129.00	£103.00*
CANT5.2	5.2m/17'1" (Complete)	£149.00	£119.00*
CANT6.2	6.2m/20'4" (Complete)	£169.00	£135.00

PLATFORM OVERREACH - 850mm

* Price per week. 4 week rates must be agreed at time of hire.
Heights specified are platform height, not working height.



LIFT SHAFT TOWERS

HIRE RATES

Code	Height	1 week	4 weeks
LIFT1.2	1.2m/4'1"	£50.00	£40.00*
LIFT2.2	2.2m/7'2"	£60.00	£48.00*
LIFT3.2	3.2m/10'8"	£70.00	£56.00*
LIFT4.2	4.2m/13'10"	£85.00	£68.00*
LIFT5.2	5.2m/17'1"	£100.00	£80.00*
LIFT6.2	6.2m/20'4"	£115.00	£92.00*
LIFT7.2	7.2m/23'7"	£130.00	£104.00*
LIFT8.2	8.2m/26'11"	£145.00	£116.00*
LIFT9.2	9.2m/30'3"	£160.00	£128.00*
LIFT10.2	10.2m/33'6"	£175.00	£140.00*

* Price per week. 4 week rates must be agreed at time of hire.
Heights specified are platform height, not working height.



STAIRWELL TOWERS

Robustly constructed, yet easy to erect, our range of Stairwell Towers allow users to work safely on commercial and domestic stairwells. Features include:

- A narrow base
- Adjustable legs
- Non-slip trapdoors

Access can be gained at either end of the stairwell unit via a walk through ladder frame.

HIRE RATES

Code	Height	1 week	4 weeks
STAIR2.8	2.8m	£57.00	£45.50*
STAIR4.3	4.3m	£72.00	£57.50*
STAIR5.8	5.8m	£95.00	£76.00*
STAIR7.3	7.3m	£109.00	£87.00*

* Price per week. 4 week rates must be agreed at time of hire.
Heights specified are platform height, not working height.

MINIMAX FOLDING PLATFORMS

For indoor and outdoor use, the Minimax is the ideal lightweight and modular platform and tower system.

Fitting through standard doorways and down corridors with snap click fittings and versatile stepped height platform adjustment, the Minimax is the ultimate one person system.

The base pack will give you a platform height of 0.6m with a working height of 2.6m. Extension packs can be added for extra reach if required.

HIRE RATES

Code	Height	1 day	+1 day	1 week	4 weeks
010180	0.6m-2.60m	£35.00	£9.50	£49.00	£39.00*
MINIMAXGR	1m Extension Pack (1.7m Platform height)	£13.00	£3.50	£20.00	£16.00*
MINIMAX2N	2m Extension Pack (3.7m Platform height)	£25.00	£7.50	£40.00	£32.00*

* Price per week. 4 week rates must be agreed at time of hire.
Heights specified are platform height, not working height.

WARNING - EQUIPMENT SPECIFICATION MAY VARY SLIGHTLY. IF IN DOUBT PLEASE PHONE TO CHECK

All prices shown exclude VAT. 4 week rates must be agreed at time of hire.

STEPS

1.5M PODIUM STEPS

This unit has been designed to provide a safer way of working at low levels and offers six platform heights of 250mm, 500mm, 750mm, 1m, 1.25m and 1.5m.

Its 600mm² platform area offers an ideal working space for one man and tools.

With a telescopic handrail section the correct guardrail height is achieved at each of the six levels to ensure user safety.

The unit is fitted with anti-surf feet that prevent the user from moving the unit whilst standing on the platform.



HIRE RATES					
Code	Height	1 day	+1 day	1 week	4 weeks
010172	1m to 1.5m	£32.00	£8.50	£49.00	£39.00*

* Price per week. 4 week rates must be agreed at time of hire. Heights specified are platform height, not working height.

SHERPA TELESCOPIC STEPS

Fully enclosed step ladders with variable platform heights from 1.77m to 2.23m.

Adjustable stabilisers are fitted for added stability.

Folds down for easy storage and transportation.



HIRE RATES					
Code	Height	1 day	+1 day	1 week	4 weeks
010192	1.06m to 1.53m	£34.00	£14.00	£62.00	£49.50*

* Price per week. 4 week rates must be agreed at time of hire. Heights specified are platform height, not working height.

ALUMINIUM STEPS

Our range of Step Ladders are certified for industrial use.

They are ideal for inspection work, access to work places and in accordance with the Working at Height regulations, light work of a short duration.



HIRE RATES					
Code	Height	1 day	+1 day	1 week	4 weeks
010126	2.35m - OPEN 1.27m	£12.00	£3.50	£19.00	£15.00*
010128	2.56m - OPEN 1.69m	£14.00	£4.00	£22.00	£17.50*
010130	2.98m - OPEN 2.10m	£16.00	£4.50	£25.00	£20.00*
010132	3.39m - OPEN 2.52m	£18.00	£5.50	£29.00	£23.00
010134	3.81m - OPEN 3.00m	£24.00	£9.00	£42.00	£33.50*

* Price per week. 4 week rates must be agreed at time of hire. Heights specified are platform height, not working height.

GRP STEPS

Glassfibre Reinforced Plastic (GRP) Step Ladders are non-sparking and corrosion resistant, ideal for areas where there is a risk of fire or hazard from electrical or chemical contact.

In addition, they are suitable for use in 'clean' environments such as food and hi-tech manufacturing.

They are suitable for inspection work, access to work places and in accordance with the Working at Height regulations, light work of a short duration.



HIRE RATES					
Code	Height	1 day	+1 day	1 week	4 weeks
010151	2.04m - OPEN 1.24m	£10.00	£2.50	£15.00	£12.00*
010152	2.60m - OPEN 1.65m	£14.00	£3.00	£20.00	£16.00*
010154	3.13m - OPEN 2.20m	£17.00	£4.00	£25.00	£20.00*
010156	3.7m - OPEN 3.03m	£19.00	£5.00	£29.00	£23.00*

* Price per week. 4 week rates must be agreed at time of hire. Heights specified are platform height, not working height.

WARNING - EQUIPMENT SPECIFICATION MAY VARY SLIGHTLY. IF IN DOUBT PLEASE PHONE TO CHECK

All prices shown exclude VAT. 4 week rates must be agreed at time of hire.

PLATFORMS

STAGING BOARDS & HANDRAILS

HIRE RATES - STAGING BOARDS (450mm WIDE)

Code	Length	1 day	+1 day	1 week	4 weeks
020108	8' (2.3m)	£15.00	£2.00	£19.00	£15.00*
020110	10' (3.04m)	£17.00	£2.00	£21.00	£16.75*
020112	12' (3.65m)	£19.00	£3.00	£25.00	£20.00*
020116	16' (4.87m)	£22.00	£3.50	£29.00	£23.00*
020120	20' (6.00m)	£25.00	£7.00	£39.00	£31.00*
020124	24' (7.31m)	£34.00	£15.00	£64.00	£51.00*

* Price per week. 4 week rates must be agreed at time of hire.



HIRE RATES - HANDRAILS

Code	Description	1 week	4 weeks
HANDRAIL8	Handrail System for 8' Staging Board	£13.50	£10.75*
HANDRAIL10	Handrail System for 10' Staging Board	£15.00	£12.00*
HANDRAIL12	Handrail System for 12' Staging Board	£25.00	£20.00*
HANDRAIL16	Handrail System for 16' Staging Board	£27.00	£21.50*
HANDRAIL20	Handrail System for 20' Staging Board	£29.00	£23.00*
HANDRAIL24	Handrail System for 24' Staging Board	£40.00	£32.00*

* Price per week. 4 week rates must be agreed at time of hire.
Prices listed only include one side of handrail



TRESTLES & SCAFFOLD BOARDS

HIRE RATES - PAINTER TRESTLES

Code	Height	1 day	+1 day	1 week	4 weeks
020170	6' Aluminium	£14.00	£4.00	£22.00	£17.50*
020180	8' Aluminium	£16.00	£4.50	£25.00	£20.00*
020190	10' Aluminium	£19.00	£5.50	£30.00	£24.00*

* Price per week. 4 week rates must be agreed at time of hire.

HIRE RATES - STEEL TRESTLES (1000mm WIDE)

Code	Description	1 week	4 weeks
TRES1	1'7" extends to 2'5" (0.48m to 0.74m)	£3.75	£3.00*
TRES2	2'6" extends to 4' (0.76m to 1.22m)	£3.75	£3.00*
TRES3	3'6" extends to 5'9" (1.07m to 1.75m)	£3.75	£3.00*
TRES4	4'6" extends to 7'2" (1.37m to 2.18m)	£3.75	£3.00*

* Price per week. 4 week rates must be agreed at time of hire.

HIRE RATES - SCAFFOLD BOARDS (230mm WIDE)

Code	Length	1 week	4 weeks
SCAF8	8' (2.43m)	£2.75	£2.00*
SCAF10	10' (3.04m)	£2.75	£2.00*
SCAF13	13' (3.96m)	£2.75	£2.00*

* Price per week. 4 week rates must be agreed at time of hire.



DESKSPAN HIGH-CLEARANCE TOWERS

This unit is specifically designed to be used over non-movable objects such as desks, hedges, coveyers etc.

This unit allows for 1.5m height clearance, with a working platform of 2.5m x 0.7m and safe working load of 250kg.

HIRE RATES

Code	Clearance	1 day	+1 day	1 week	4 weeks
010220	1.5m - HEIGHT	£45.00	£15.00	£75.00	£60.00*

* Price per week. 4 week rates must be agreed at time of hire.



WARNING - EQUIPMENT SPECIFICATION MAY VARY SLIGHTLY. IF IN DOUBT PLEASE PHONE TO CHECK
All prices shown exclude VAT. 4 week rates must be agreed at time of hire.

LADDERS

CONSERVATORY LADDERS

Two part ladder specially designed for safe, easy access to conservatory roofs.

Ideal for cleaning or general maintenance work in awkward to get at areas.

The adjustable upper section allows for secure positioning on the pitch roof.



HIRE RATES

Code	Height	1 day	+1 day	1 week	4 weeks
010085	2.2m	£35.00	£10.00	£55.00	£44.00*

* Price per week. 4 week rates must be agreed at time of hire.

COMBI LADDERS

Three section aluminium ladder with the versatility to complete many different tasks.

Quickly and simply adapts to each mode be it step ladder, extension ladder, extending step ladder or stairway ladder.



HIRE RATES

Code	Height	1 day	+1 day	1 week	4 weeks
010070	7.02m ladder/ 3.75m steps	£25.00	£7.00	£39.00	£31.00*

* Price per week. 4 week rates must be agreed at time of hire.

GRP DOUBLE 4.2m TO 7.5M (14FT) LADDERS

Double extending 4.2m rope operated GRP ladder giving a maximum safe working height of 7.8m.

Non-conductive to 30,000 volts, this ladder is ideal in areas where there is a risk of hazard from electrical or chemical contact.

14 slip-resistant rungs per section give the ladder a total weight of 23kg.

HIRE RATES

Code	Height	1 day	+1 day	1 week	4 weeks
010060	4.2m to 7.5m	£35.00	£10.00	£55.00	£44.00*

* Price per week. 4 week rates must be agreed at time of hire.

ALUMINIUM LADDERS

Our range of Aluminium Ladders are certified for industrial use and are suitable for inspection work, access to work places and in accordance with the Working at Height regulations, light work of a short duration.



SAFETY FIRST
Ladder stoppers and
ladder stays are
available on request

HIRE RATES

Code	Height	1 day	+1 day	1 week	4 weeks
010010	4.41 - SWH	£17.00	£5.50	£28.00	£22.25*
010030	7.68m - SWH	£18.00	£6.00	£30.00	£24.00*
010035	6.04m - SWH	£21.00	£5.50	£32.00	£24.00*
010040	10.68m - SWH	£25.00	£7.50	£40.00	£32.00*

* Price per week. 4 week rates must be agreed at time of hire.
SWH = Safe Working Height

ROOF LADDERS

An aluminium ladder designed principally to reduce the risk to the user.

It uses a ridge hook to hold the ladder in position with support bearers to distribute weight evenly preventing damage to the roof.

Two wheels fitted to the underside allow the ladder to be pushed up the roof without causing any damage to the slates or tiles.

Designed for pitched roofs up to an angle of 55°, the ladder is easily positioned and totally secure to use.



HIRE RATES

Code	Height	1 day	+1 day	1 week	4 weeks
010090	4.24m	£21.00	£4.00	£29.00	£23.00*
010110	3.9m - 6.6m	£24.00	£7.50	£39.00	£31.00*

* Price per week. 4 week rates must be agreed at time of hire.
Heights specified are platform height, not working height.

WARNING - EQUIPMENT SPECIFICATION MAY VARY SLIGHTLY. IF IN DOUBT PLEASE PHONE TO CHECK

All prices shown exclude VAT. 4 week rates must be agreed at time of hire.

GROUND GUARDS

This heavy-duty plastic ground mat system is ideal for construction sites and events allowing heavy equipment to manoeuvre across the ground with minimal disturbance to the ground itself. They are lightweight at only 39kg each and can be easily slotted together without tools. These ground mats are hard wearing and can handle machine weights up to 60 tonnes.

HIRE RATES

Code	Size (L X W)	1 week	4 weeks
GROUND	2.4m x 1.2m	£15.00	£12.00*

* Price per week. 4 week rates must be agreed at time of hire.
Price shown is for one ground guard.

AVAILABLE FOR DELIVERY OR COLLECTION AT OUR SOUTHEND HIRE CENTRE. FOR MORE INFORMATION CALL 01702 545454



IPAF TRAINING



We offer training for anyone that operates Mobile Elevated Work Platforms (MEWPs), typically Scissor Lifts, Vertical Platforms, Cherry Pickers, Static or Self-Propelled Booms.

COURSE INFORMATION

- Courses run from Monday to Friday
- Saturday training available at an additional cost
- Approved IPAF Training centre
- On-site training available (subject to certain requirements)
- Group discounts available
- IPAF card and certificate included, valid for 5 years

MACHINE CATEGORIES



3a Mobile Vertical

Scissor lifts, vertical personnel platforms (mobile)



1b Static Boom

Self-propelled booms (outriggers), trailers/push-around, vehicle mounted platforms



3b Mobile Boom

Self-propelled booms



PRICES - IPAF OPERATOR

No. of categories	Price from
1	£160 per person
2	£190 per person
3	£245 per person

TO BOOK

Call - 01702 561818

Visit: www.mark1training.co.uk

Email: info@mark1training.co.uk

PASMA TRAINING



This training is for anyone who needs to assemble, alter, dismantle, move, inspect and most importantly use alloy or fibreglass Mobile Access Towers.

COURSE INFORMATION

- Courses run at least twice weekly from Monday to Friday
- Courses scheduled for a minimum of 4 delegates
- Saturday training available at an additional cost
- Approved PASMA Training centre
- On-site training available (subject to certain requirements)
- Group discounts available
- PASMA card and certificate included, valid for 5 years

COURSE AGENDA

- Legislation and regulations
- PASMA Code of Practice
- Tea Break (Tea & Coffee provided by Mark 1 Training)
- Product Standards EN 1004:2004
- Best practice relating to fall protection
- Lunch (provided by Mark 1 Training)
- Inspection of completed mobile access towers
- Completion of tower inspection records
- Hazard awareness



PRICES - PASMA TOWERS FOR USERS

Course	Price from
PASMA Towers for Users	£110 per person

TO BOOK

Call - 01702 561818

Visit: www.mark1training.co.uk

Email: info@mark1training.co.uk



MARKONE
ACCESS HIRE

POWERED ACCESS HIRE CENTRE

Tel: **01702 561820**

Email: access@mark1hire.co.uk

SOUTHEND HIRE CENTRE

Tel: **01702 545454**

Email: southend@mark1hire.co.uk

RAYLEIGH HIRE CENTRE

Tel: **01268 745533**

Email: rayleigh@mark1hire.co.uk

CHELMSFORD HIRE CENTRE

Tel: **01245 399150**

Email: chelmsford@mark1hire.co.uk

BASILDON HIRE CENTRE

Tel: **01268 904000**

Email: basildon@mark1hire.co.uk

TRAINING CENTRES

Tel: **01702 561818**

Email: info@mark1training.co.uk

www.mark1hire.co.uk