

skyVac
MIGHTY ATOM[®]
Supercharged

USER MANUAL



www.skyvac.com

WET & DRY GUTTER VACUUM



INCLUDED AS STANDARD

5M 50MM WIRE REINFORCED HOSE



VAC & POLE CUFFS



HOSE BAG



CARRY BAG FOR POLES & ACCESSORIES



WET/DRY FLOOR TOOL KIT



PACKAGES (AVAILABLE WITH 4, 6 OR 7 POLES)

STANDARD 44MM PUSH FIT POLES

4 POLE PACKAGE: PUSHFIT POLES



REACH
6m/
20ft



NECK END, END TOOLS & VAC RELEASE CUFF

ELEVATE 44MM CLAMPED POLES

4 POLE PACKAGE: PUSH FIT POLE & ELEVATE POLES



REACH
6m/
20ft



NECK END, END TOOLS & VAC RELEASE CUFF

Thank you for your purchase

Contents

PACKAGE CONTENTS.....	2 & 3
KEY SYSTEM FEATURES.....	4
MACHINE SPECIFICATION.....	5
SUCTION & BLOW PORT.....	6
WIRE REINFORCED HOSE & FLOOR TOOL KIT.....	7
44MM PUSH FIT POLE ASSEMBLY.....	8
44MM CLAMPED POLE ASSEMBLY.....	9
50MM CLAMPED POLE ASSEMBLY.....	10 & 11
SETTING UP.....	12
ELITE VAC RELEASE POLE USE.....	13
EMPTYING DRUM & FILTER MAINTENANCE.....	14
BEST PRACTICE & TROUBLE SHOOTING.....	15



PREMIUM 50MM CLAMPED POLES

4 POLE PACKAGE: *ELITE* VAC RELEASE & CLAMPED POLES



ELITE END TOOLS & 135° HAIRPIN NECK

KEY SYSTEM FEATURES



POWER ON / OFF



POWER ON:

1. Only one button

POWER OFF:

1. Only one button.

SPECIFICATIONS

MACHINE SPECIFICATION

Motor wattage:	1400 watt (single motor)
Water lift:	112"
Air flow movement:	4,650 LPM
Cyclonic entry port:	50mm
Container:	35 Litre
Weight:	8kg
Decibel level:	70 dB
Mains connection:	240V
Dimensions (cm):	37(l) x 40(w) x 79(h)

REMOVING VACUUM HEAD



TO REMOVE THE VACUUM HEAD:

1. Ensure the vacuum head is turned off (B)
2. To release the clamps (A) pull the underside of the clamp out, then lift the top of the clamp away from the head
3. Lift the vacuum head (B) from the drum (C). Place the vacuum head (B) in a safe location—using the foot rest

TO REPLACE THE VACUUM HEAD:

1. Lift the vacuum head (B) and place onto the drum (C)
2. Secure the side clamps (A) to the vacuum head (B)

SUCTION PORT



TO INSERT HOSE INTO SUCTION PORT:

1. Push the hard cuff into the cyclonic side entry port on the drum
2. Once correctly inserted, the cuff will click/lock in place

TO REMOVE HOSE FROM SUCTION PORT:

1. To remove, press down on the red button on the side of the entry port to unlock

BLOW PORT



TO INSERT HOSE INTO BLOW PORT:

1. Push the hard cuff into the blow function port and “click” lock in place

TO REMOVE HOSE FROM BLOW PORT:

1. To remove, gently slide the red button to the left (away from the vac port). Once unlocked, pull the hard cuff out of the blow port

WIRE REINFORCED HOSE



SOFT CUFF:

Screw on anti-clockwise to hose, and attach to base pole



HARD CUFF:

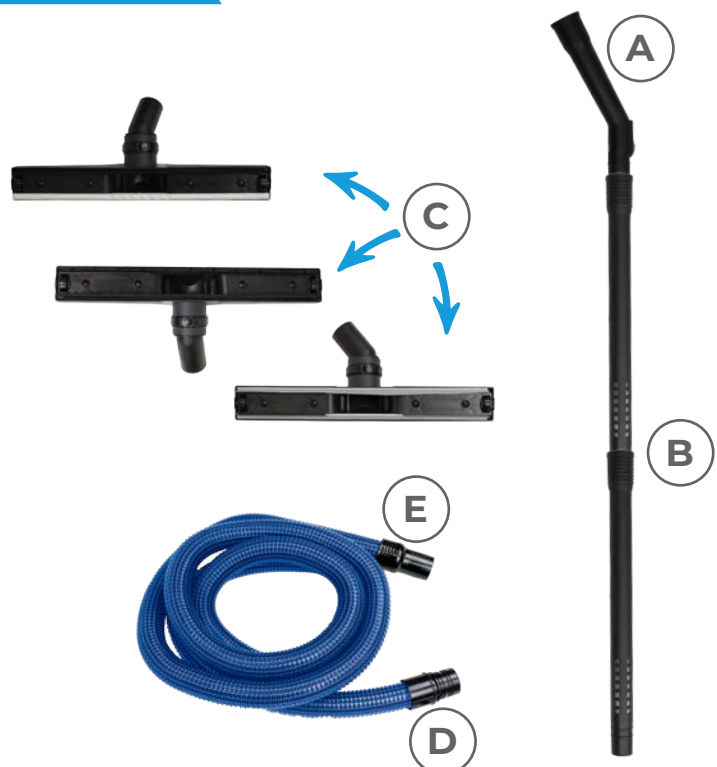
Screw on anti-clockwise to hose, and insert into either the blow port or suction port



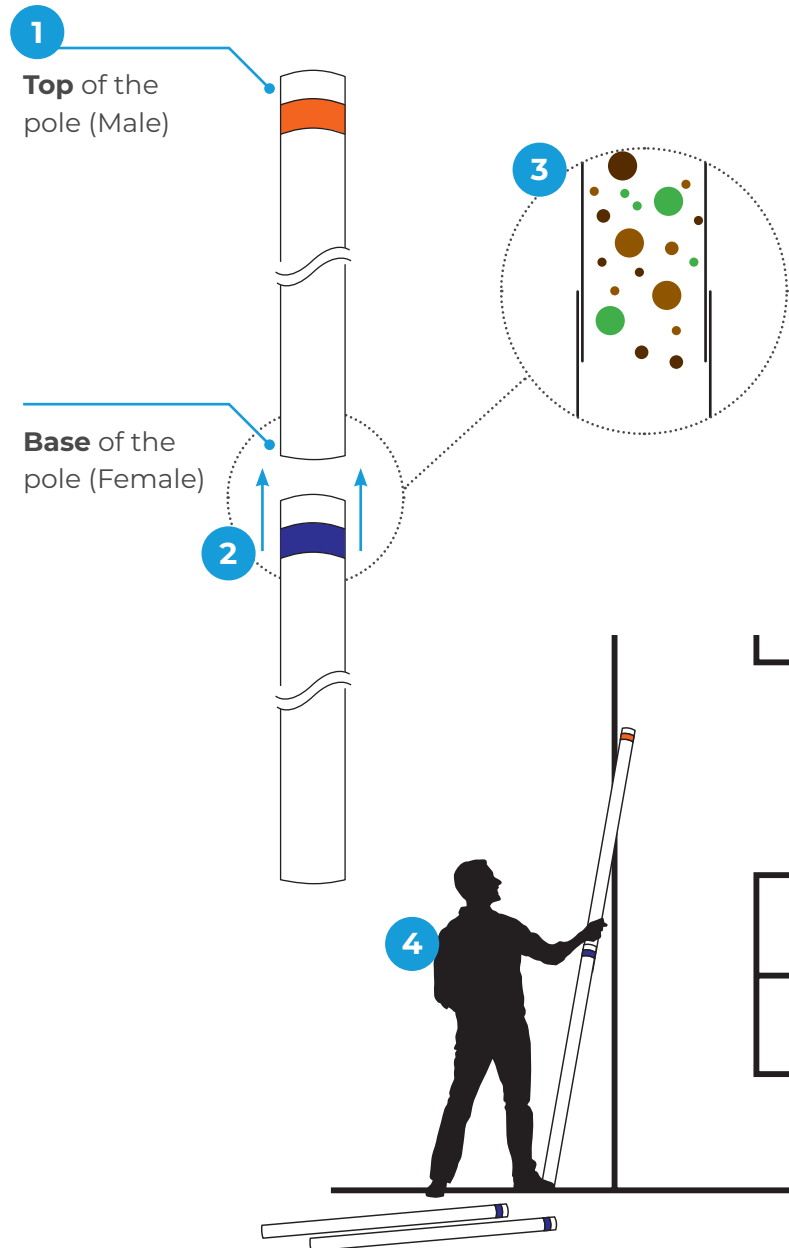
FLOOR TOOL KIT

TO ASSEMBLE AND USE:

1. Insert the angled suction handle (A) into the 2 x suction poles (B)
2. Insert required floor brush head (C)
3. Insert the hard cuff into the vac suction port (D)
4. Insert smaller hose hard cuff into the handle of the floor tool kit (E)



Standard 44mm Push Fit Poles

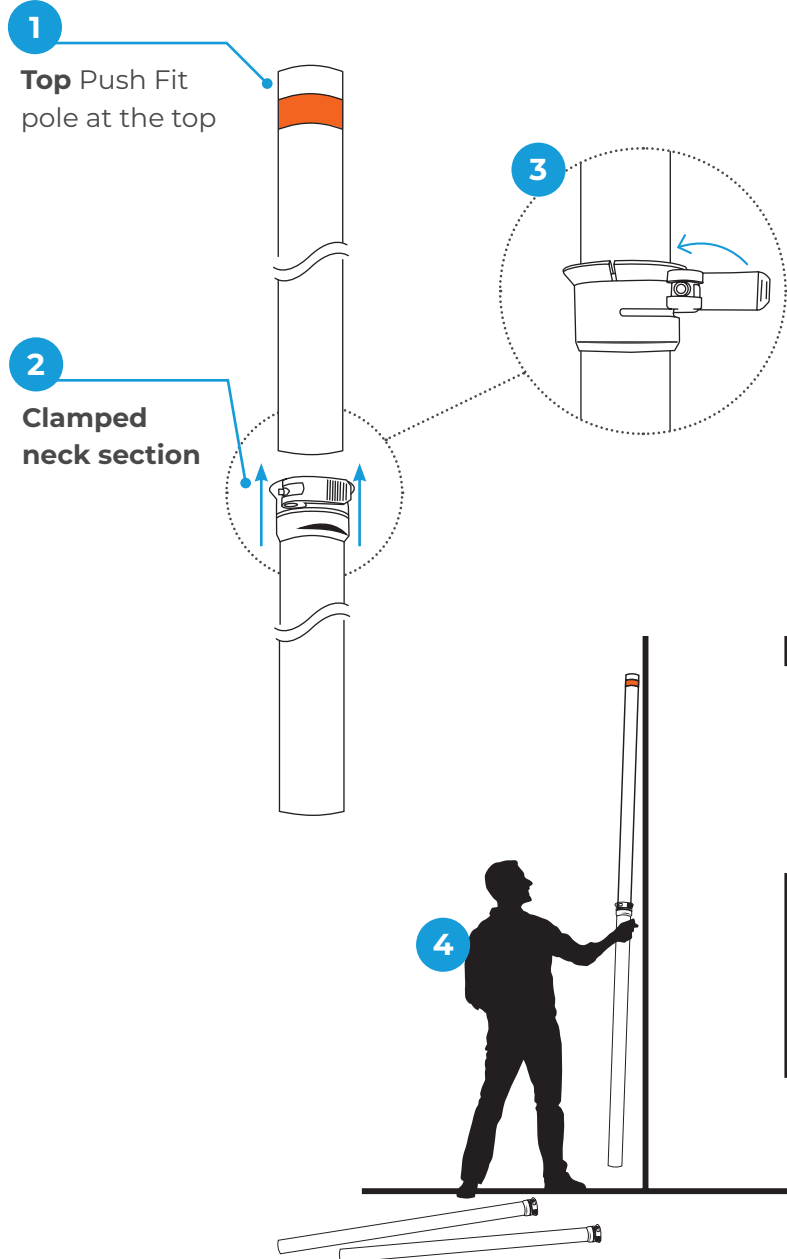


1
The coloured band indicates the **TOP** of **EACH POLE**—with the Orange band indicating the highest pole for use with the tool holder

2
The **HIGHER** pole should sit **INSIDE** the **LOWER** pole to ensure that the dirt and debris flows **OVER** the joint. The blue coloured band should always be at the top of each section

3
To achieve the desired height, slot your poles together, resting against the side of a building

Elevate 44mm Clamped Poles



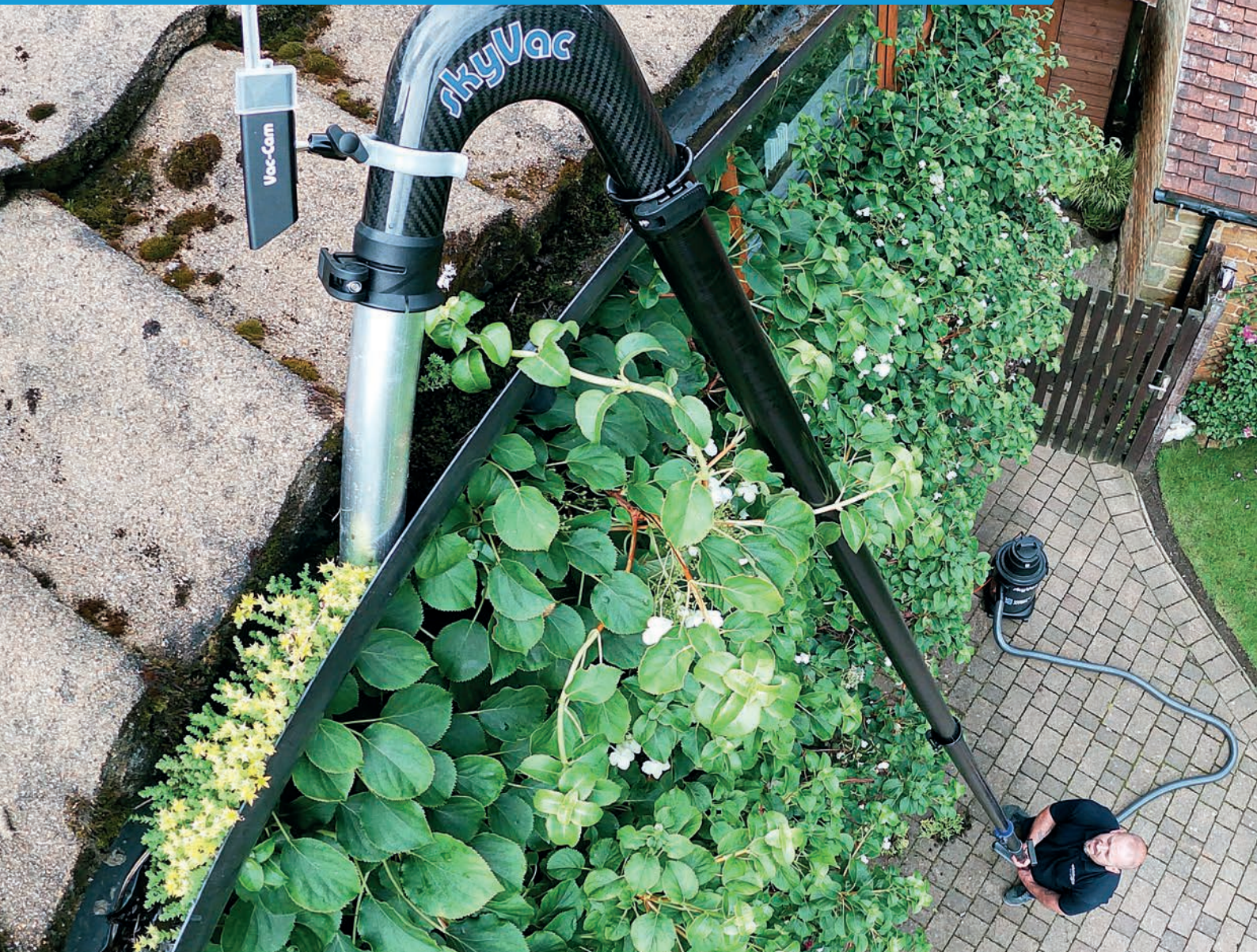
1
Always start with the Push Fit pole (Orange band) first

2
Slot the Push Fit pole into the clamped pole

3
Once in position, secure in place with locking lever. Turn screw clockwise to tighten, anti-clockwise to loosen. Push clamp forward and down to lock, flip open to release

4
To achieve the desired height, slot your poles together, resting against the side of a building

Premium 50mm Clamped Poles

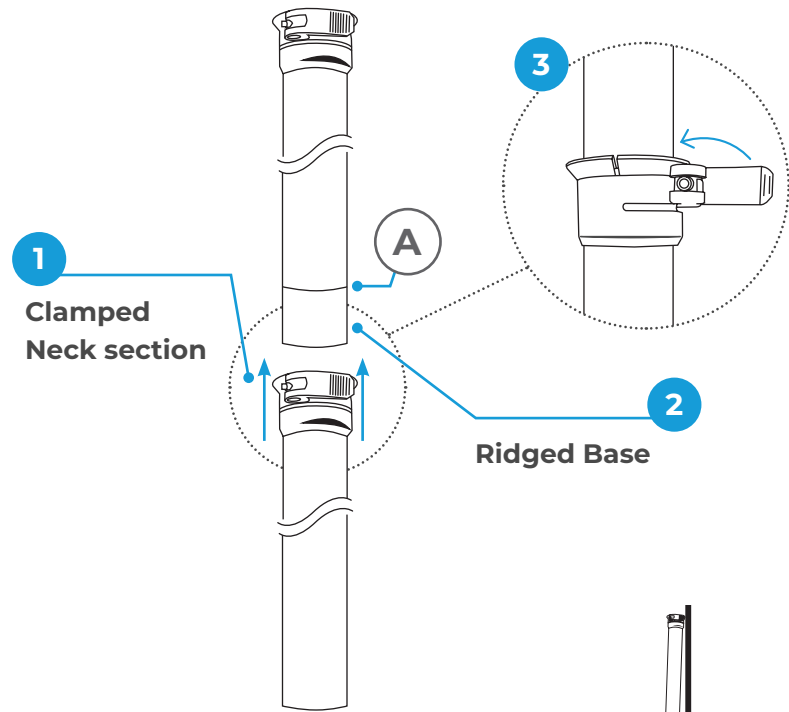


1

Slot the base of the top pole into the clamped neck section of the pole below

2

The ridge at the base of the pole (A) ensures the correct locking position.



3

Once in position, secure in place with locking lever. Turn screw clockwise to tighten, anti-clockwise to loosen. Push clamp forward and down to lock, flip open to release

4

To achieve the desired height, slot your poles together, resting against the side of a building.

TOP TIP
Assemble your poles up against the side of the building you are working on so you are ready to start!

SETTING UP



1
Insert end tool into the neck of tool holder

2
Attach tool holder to head of the first pole

3
Build poles up to the required height, starting at the top pole (with the end tools attached) and working down. Add each new pole below the previous

4
Rest poles against the side of building whilst building your poles

5
Ensure the Vac release pole is the base pole (clamped poles only)

6
Once the poles are assembled to the height required, attach the soft end cuff of the wire reinforced hose, onto the base of the pole.

7
Switch on the Mighty Atom.



DANGER: Beware of overhead electric cables when using poles. These poles are carbon fibre and conduct electricity. Always risk assess when using near overhead electric cables and use a safe method of working



ELITE VAC RELEASE POLE USE



- 1**
The skyVac® **ELITE** vac release pole should always be the base pole, closest to the operator.
- 2**
Ensure the designated “drop” area is clear.
- 3**
Position the end tool over the gutter turf and when securely held, lift the turf up out of the gutter.
- 4**
Rotate the vac cuff chamber clockwise, allowing air into the chamber. The turf should drop.
- 5**
Close vac cuff chamber anti-clockwise to restart suction.

POLE MAINTENANCE



- 1**
Always have a bucket of water handy. Flush your tools, poles, hose and vac out at the end of each job - and during, on tough projects.



- 2**
At the end of the day, fill a bucket with clean water. Rinse off any excess dirt from each end of the poles.



- 3**
Wipe around the neck of the top and base of each pole with a damp cloth to ensure they are free from dirt.

EMPTYING DRUM

1

To remove the vac head, unclip the side clamps and using the top handle, lift the vac head out of the drum. Place the vac head safely on the ground

2

To remove the filter, lift the circular frame from the neck of the drum

3

To empty drum contents, lift the base and tilt the contents into a flower bed or bucket



FILTER MAINTENANCE

1

Sitting in between the vac head and the drum, the filter prevents dust and debris from entering the motor

2

For maximum suction, start each project with a clean and dry filter

3

We recommend keeping the filter in at all times to protect the motor

4

When emptying your vacuum throughout the day, ensure the filter is replaced

5

Remove and clean your filter at the end of each job

TO CLEAN:

1

Brush the sides of the filter with a stiff brush to remove excess dirt

2

If the filter is exceptionally dirty, use a domestic hose with spray jet attachments to wash down

3

Brush around the air intake section of the vacuum head

4

Ensure the filter is completely dry before placing back into the vacuum



NOTE:

1. The motor draws air into the engine, passing through the filter.
2. If the filter becomes 1) clogged with dirt 2) wet through, then air flow to the motor becomes restricted.
3. A dirty/clogged filter will affect your engine performance and can result in a loss of suction.
4. The filter can be removed for **EXTREMELY WET** jobs (where there are no risk of dry dust entering the motor) - but **MUST** be replaced at the start of each new job.
5. We recommend having a spare filter with your system, so you can alternate filter use.

BEST PRACTICE



1 Start each new project, with a clean, DRY filter.



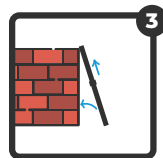
4 Have a clean bucket of water on standby! To help clear through blockages during gutter clearance projects.



2 Regularly inspect your filter for wear and tear.



5 At the end of each task, rinse your equipment with clean water. Place your poles in the bucket and suck clean water through.



3 Build your poles up against the side of a building - **DO NOT** assemble on the ground and then lift up.



6 Make sure your poles and end tools are free of dirt and grit.

TROUBLE-SHOOTING

SYMPTOM	POTENTIAL CAUSE	REMEDY
Loss of suction	Blocked filter or full drum	Clean filter and empty drum
	Blockage in flexi neck, poles, or vac entrance	Clear blockages
	Leaves blocking at end tool	Gently tap end tool on roof tiles
	Damp debris build up inside flexi hose	Suck water from a bucket
Machine stopped working	Loss of power	Check power supply
	Too many or incorrect extension leads	Always use a fully unwound heavy duty extension lead

skyVac[®]

www.skyvac.com

Unit 33, Cornwell Business Park, Salthouse Road, Brackmills,
Northampton, NN4 7EX. United Kingdom. Company No. 04506121

+44 (0)1604 968700 | info@skyvac.com

PLEASE NOTE: All details and specifications accurate at time of print.